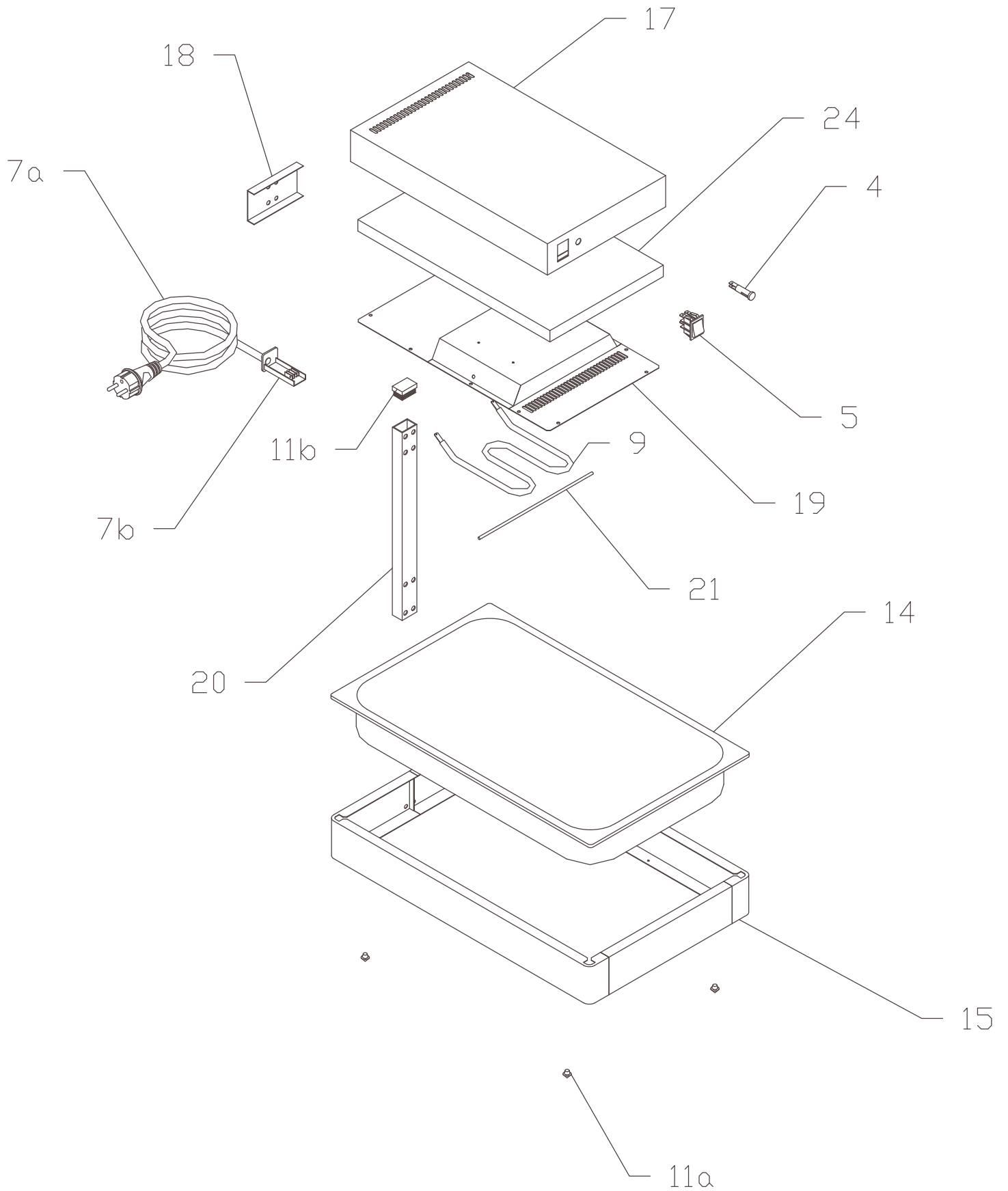




UHL - 11





UHL - 11

UHL-11	
Pozice	Kód
1	-----
2	-----
3	-----
4	401515100
5	401500500
6	-----
7a	402010000
7b	402085500
8	-----
9	401021500
10	-----
11a	407810100
11b	407825000
12	-----
13	-----
14	408730865
15	502502350
16	-----
17	453000103
18	453000107
19	453000104
20	503000100
21	503000140
22	-----
23	-----
24	407502121