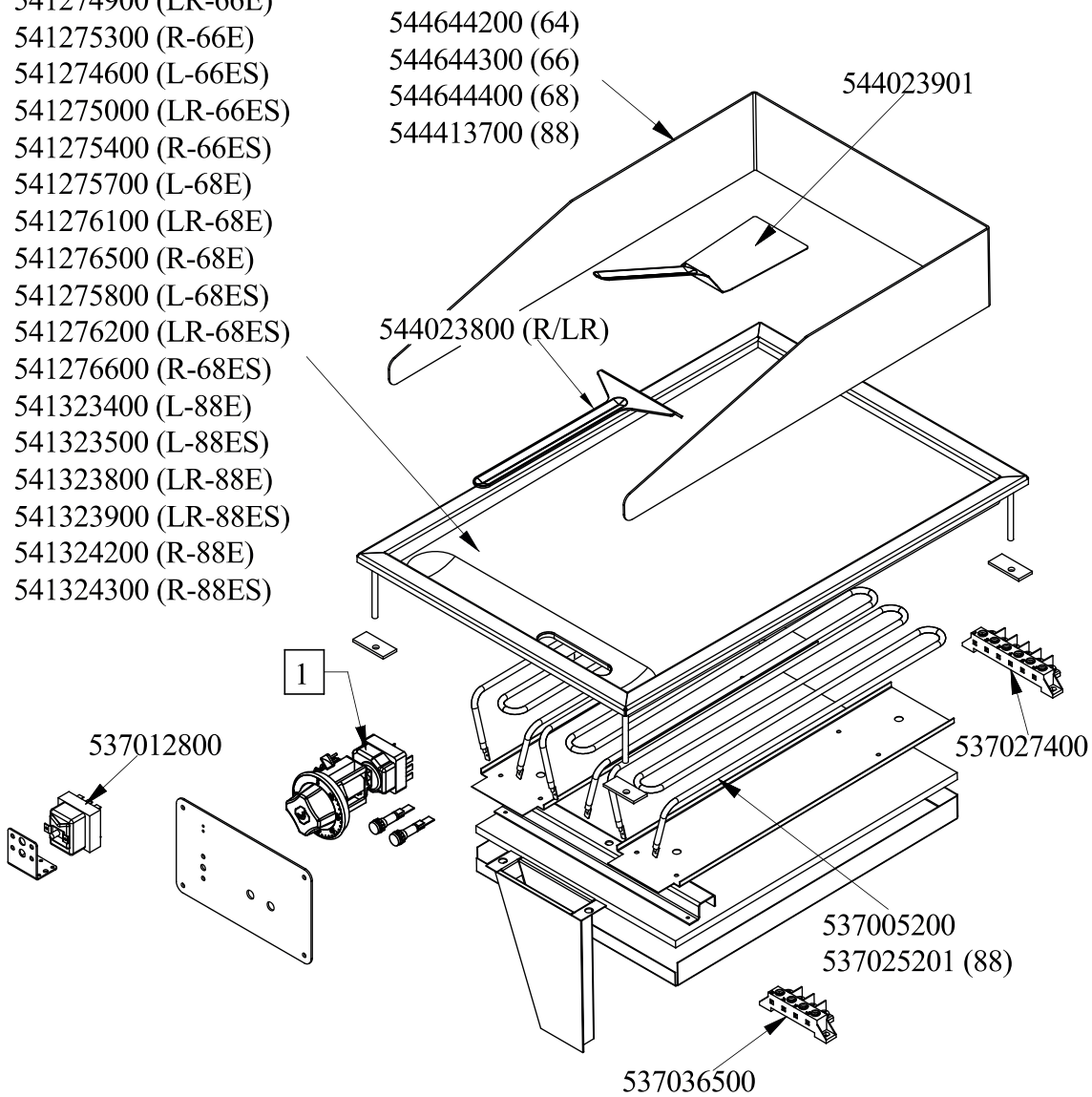


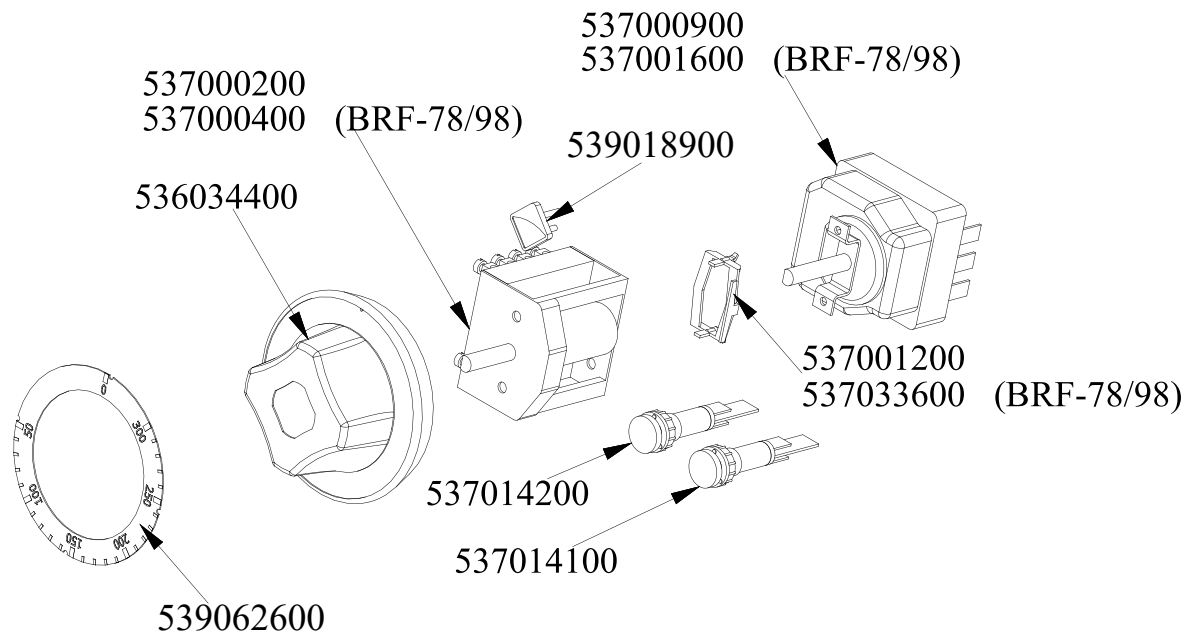
RM Drop In
 Platný od 1.5. 2019
 FT..D-ET_ETS

541273700 (L-64E)
 541274100 (R-64E)
 541273800 (L-64ES)
 541274200 (R-64ES)
 541274500 (L-66E)
 541274900 (LR-66E)
 541275300 (R-66E)
 541274600 (L-66ES)
 541275000 (LR-66ES)
 541275400 (R-66ES)
 541275700 (L-68E)
 541276100 (LR-68E)
 541276500 (R-68E)
 541275800 (L-68ES)
 541276200 (LR-68ES)
 541276600 (R-68ES)
 541323400 (L-88E)
 541323500 (L-88ES)
 541323800 (LR-88E)
 541323900 (LR-88ES)
 541324200 (R-88E)
 541324300 (R-88ES)





Objednačí kód	Popis v ENG
537027400	TERMINAL BLOCK THREEPHASE 40A
537012800	SAFETY THERMOSTAT 420°C THREEPHASE
544023901	SPATTLE FOR FRY-TOP
537036500	TERMINAL BLOCK 4POLES 40A SCREW-SCR
544023800	SPATTLE FOR GROOVED GRIDDLE
544644200	SPLASH GUARD FTD-6 4
537005200	HEATING ELEMENT W1500 V230 FT65
541273700	UPPER PLATE DROP IN FTLD -6 4E
541274100	UPPER PLATE DROP IN FTRD -6 4E
541273800	UPPER PLATE DROP IN FTLD -6 4ES
541274200	UPPER PLATE DROP IN FTRD -6 4ES
-	-



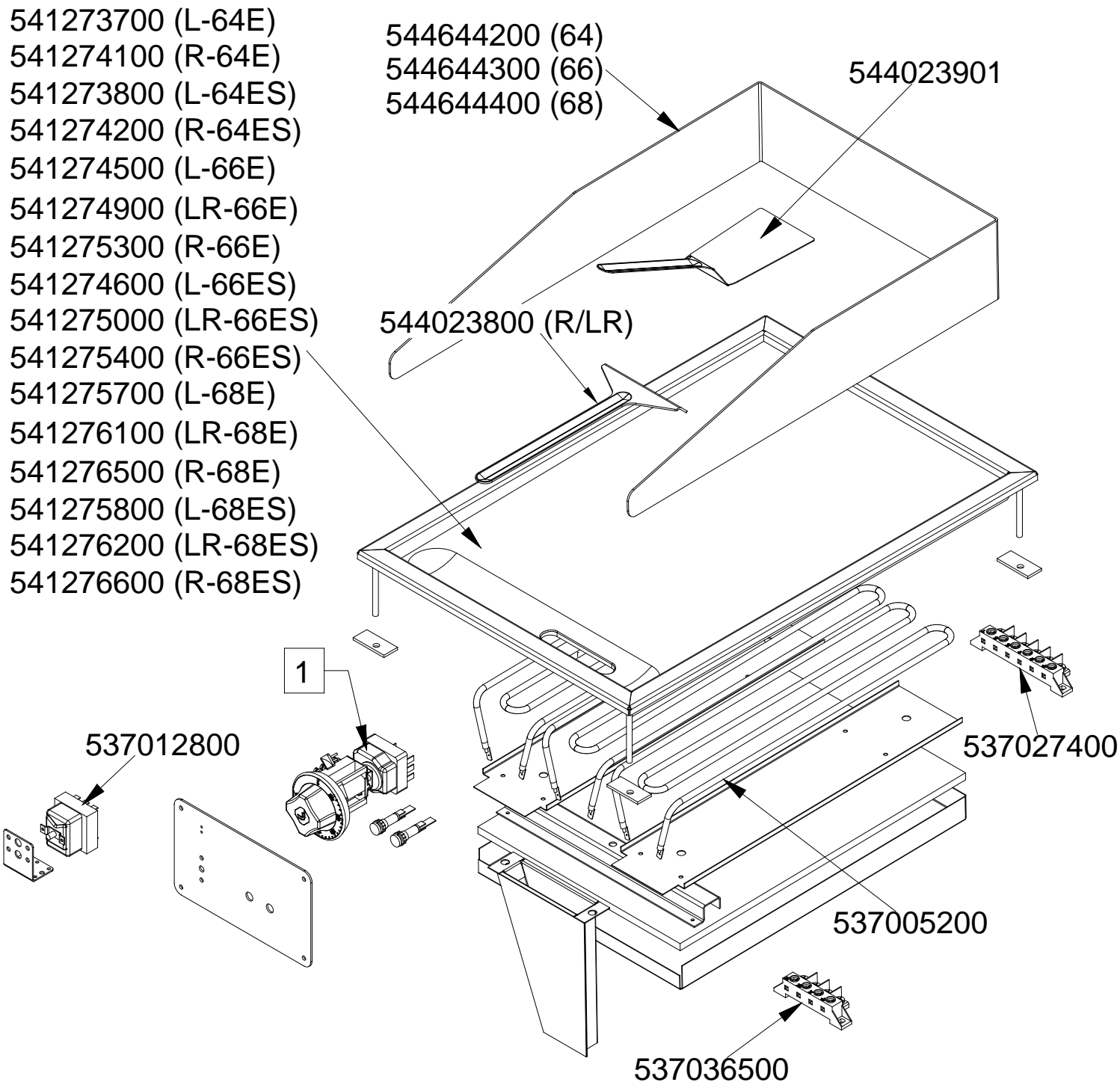
560100400 M00 P00



Objednací kód	Popis v ENG
537000900	THERMOSTAT 063-320°C THREEPHASE
537001600	THERMOSTAT 50-320°C SINGLEPHASE
537000200	COMMUTATOR 1 POS. 3PHASE S.49 16A
537000400	COMMUTATOR 1 POS.SINGLEPHASE S49 16A
539018900	INDEX FOR KNOB RED SIGN
536034400	KNOB §77 4P. §06*4,6 C/M
537001200	FIXING BRACKET FOR THERMOSTAT/COMM.
537033600	FIXING BRACKET FOR THERMOSTAT/COMM.
537014200	GREEN WARNING LIGHT 250V
537014100	WHITE WARNING LIGHT 250V
539062600	RED STICKING DISK 72 (050,300°)



FT..D-64ET, FT..D-66ET, FT..D-68ET
 Platný od 1.5.2016
 do 30.4.2019



FTD...-E
Platný od
1.5.2016
do 30.4.2019

