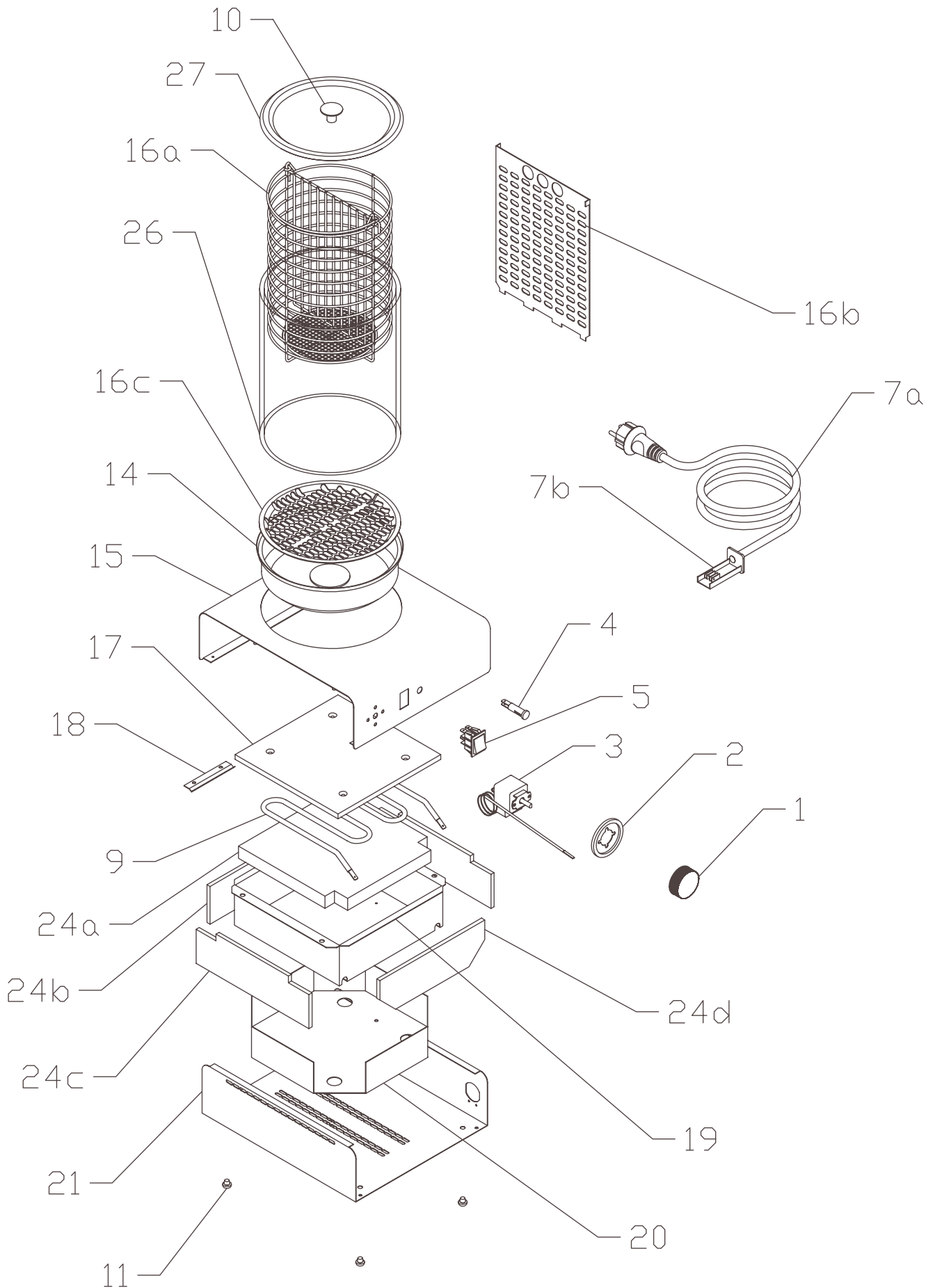




HD-N, HD-N/K
od 10-2012

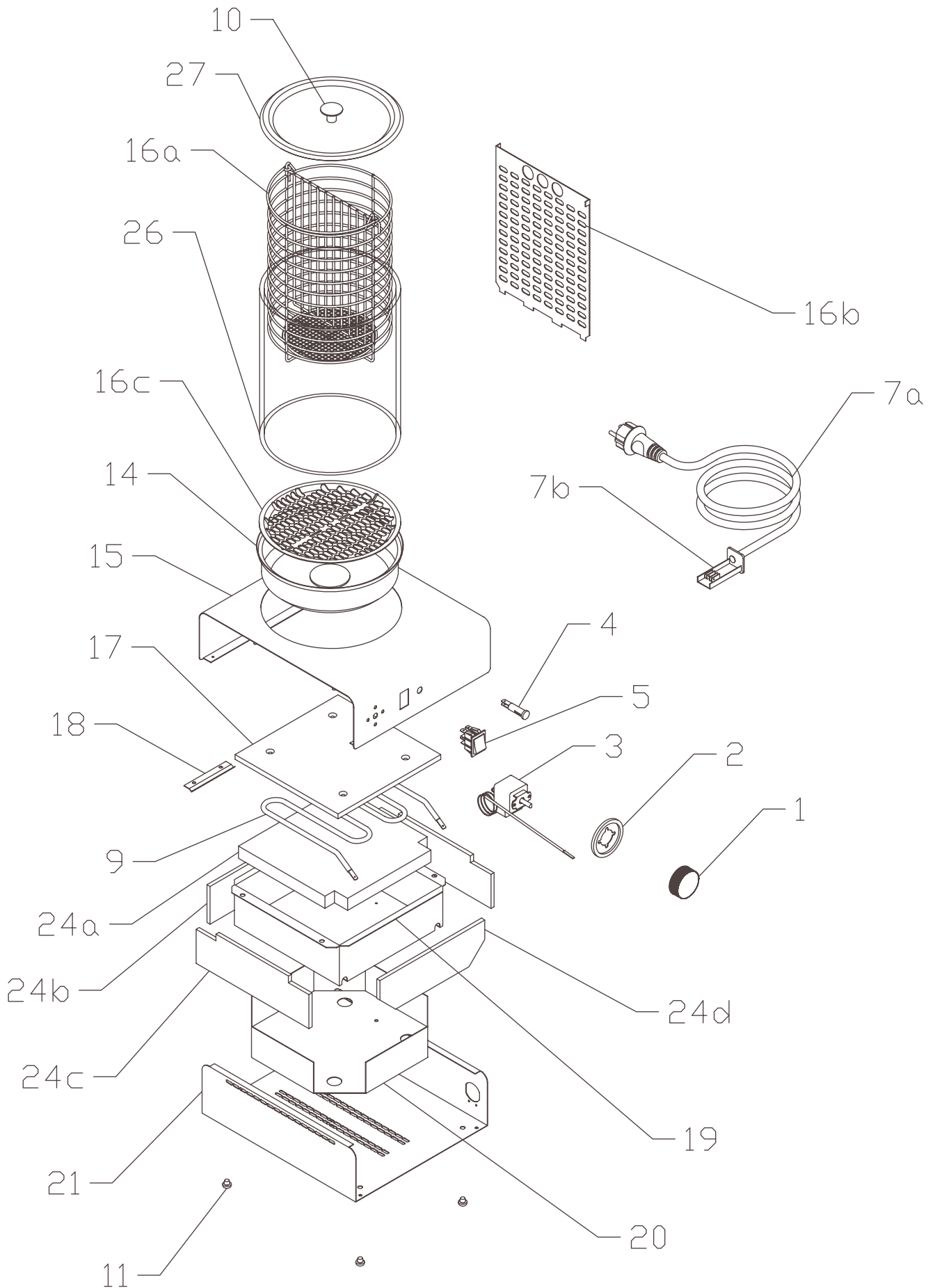


**HD-N, HD-N/K
od 10-2012**

HD-N, HD-N/K	
Pozice	Kód
1	402591000
2	402595000
3	402502000
4	401515100
5	401500500
6	-----
7a	402010500
7b	402085500
8	-----
9	401022500
10	407802001
11	407810100
12	-----
13	-----
14	408735100
15	452005100
16a	408009000
16b	452005400
16c	502000350
17	502000500
18	452005600
19	452010300
20	452010400
21	452005201
22	-----
23	-----
24a	407502103
24b	407502106
24c	407502104
24d	407502105
25	-----
26	407860003
27	



HD-N, HD-N/K
do 10-2012



**HD-N, HD-N/K
do 10-2012**

HD-N, HD-N/K	
Pozice	Kód
1	402591000
2	402595000
3	402502000
4	401515100
5	401500500
6	
7a	402010000
7b	402085500
8	
9	401022500
10	407802001
11	407810100
12	
13	
14	408735100
15	452005100
16a	408009000
16b	452005400
16c	452005300
17	502000500
18	452055600
19	452010300
20	452010400
21	452005201
22	
23	
24a	502001400
24b	502000200
24c	502000300
24d	502000100
25	
26	407860003
27	

Exploded view

TABLE A: LABELS

MODEL	CODE	NOTE
VT	402594273	
TO - 940	402594234	Switch
TO - 940	402594235	Timer
TO - 960	402594234	Switch
TO - 960	402594235	Timer
TO - 920	402594233	Switch
TO - 920	402594235	Timer
TO - 930	402594233	Switch
TO - 930	402594235	Timer
VEC	402594241	
PM - LTF	402594244	
KD	402594243	
FP - 36	402594237	
FP - 66		
FP - 37		
FP - 67		
FT	402594247	
PD		
PM		
PS		
FP - 38		
FP - 68		
FE	402594272	
BM	402594236	
BMV		
HD		
WE		
WEV		
OTS		
UH		
BM-D	402594271	
SE		
CW		
GV		

