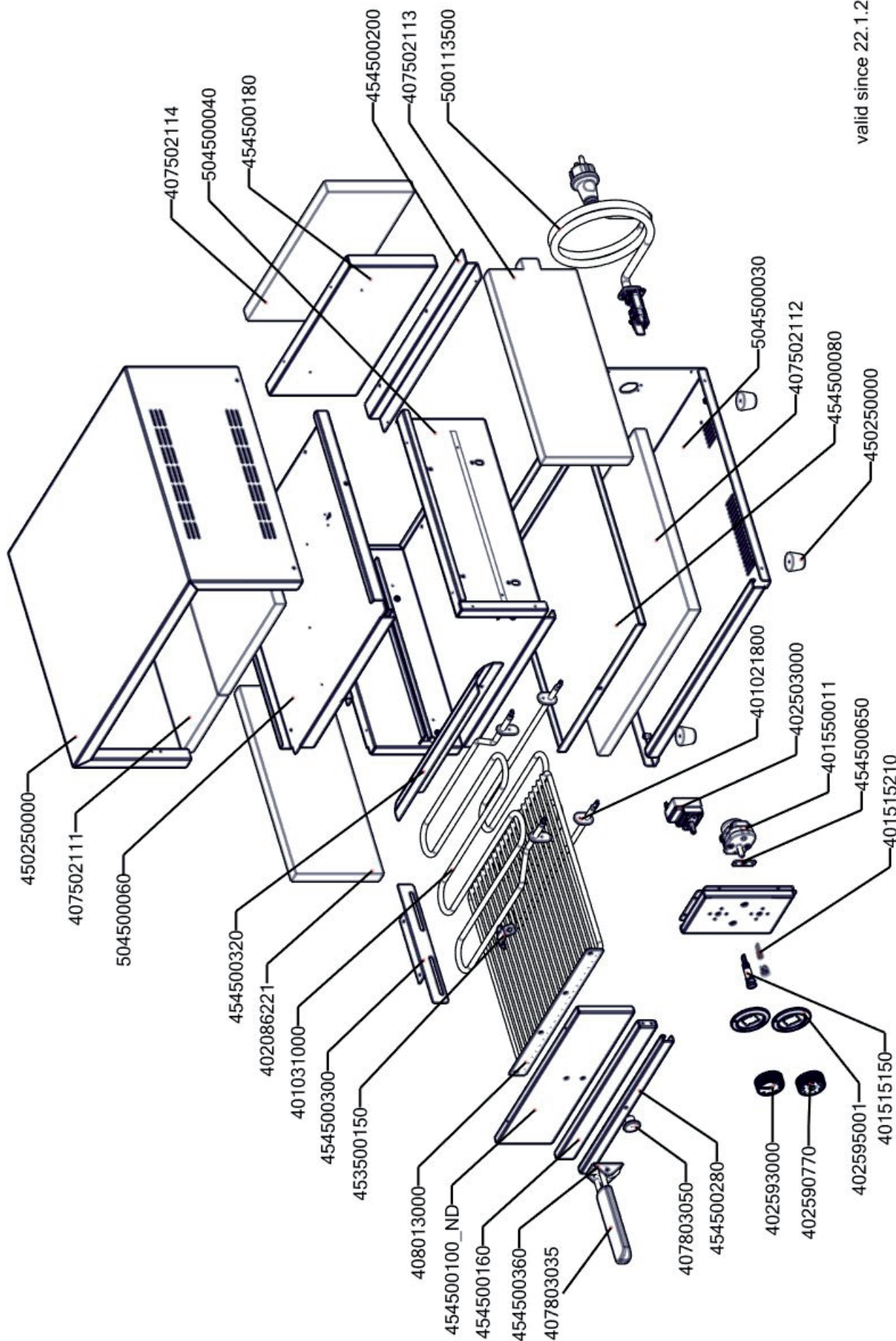




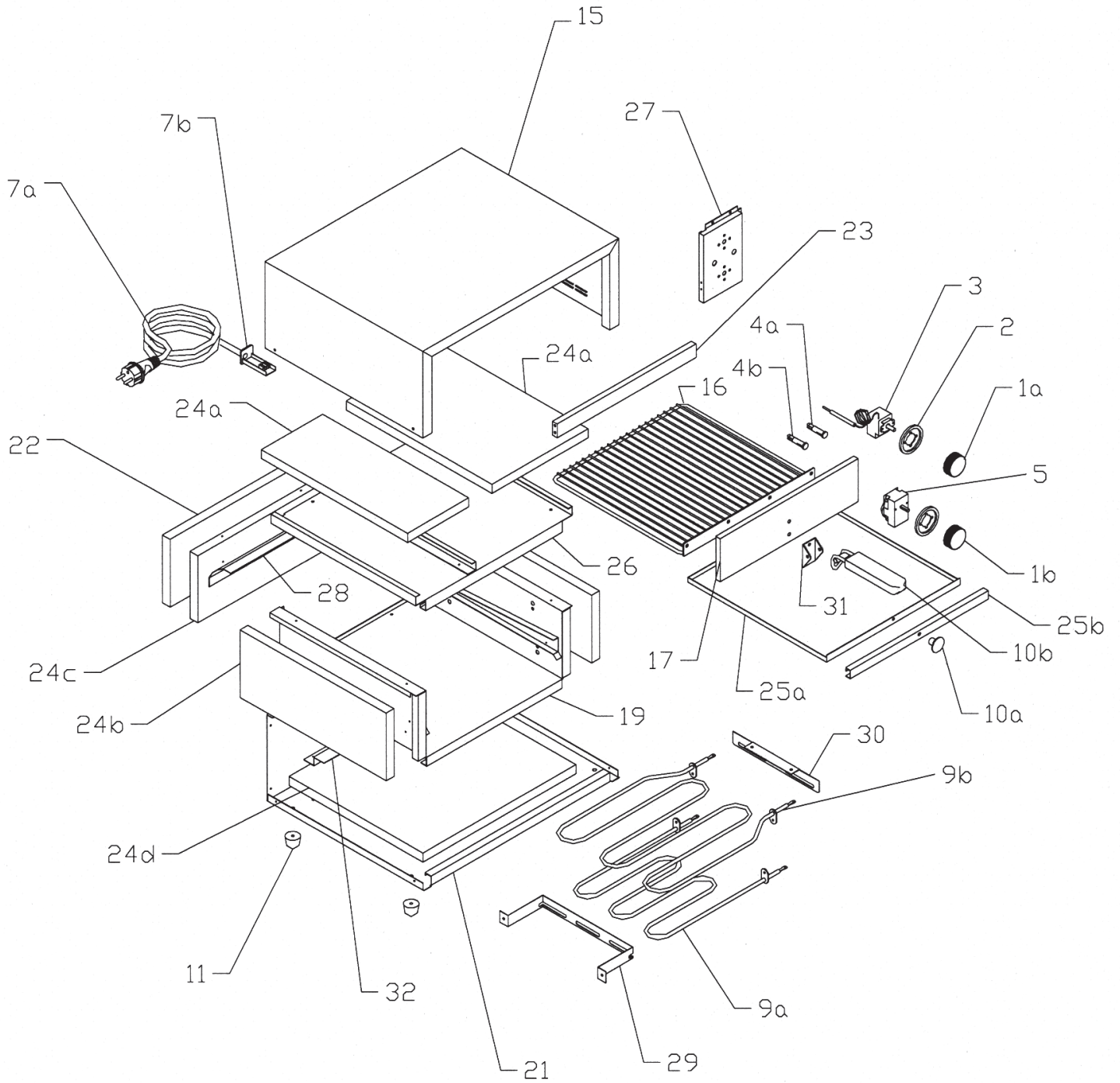
FP 36
od 01.2014

valid since 22.1.2014





FP 36
do 01.2014





FP 36
do 01.2014

E - 1	
Pozice	Kód
1a	402593000
1b	402590770
2	402595001
3	402503000
4a	401515100
4b	401515200
5	401550010
6	-----
7a	402010500
7b	402085500
8	-----
9a	401021750
9b	401031000
10a	407803050
10b	407803035
11	407810000
12	-----
13	-----
14	-----
15	454500020
16	408013000
17	504500085
18	-----
19	504500040
20	-----
21	504500000
22	504500160
23	454500160
24a	504500100
24b	504500140
24c	454500180
24d	504500120
25a	454500080
25b	454500280
26	504500060
27	454500140
28	454500320
29	454500260
30	454500300

Exploded view

TABLE A: LABELS

MODEL	CODE	NOTE
VT	402594273	
TO - 940	402594234	Switch
TO - 940	402594235	Timer
TO - 960	402594234	Switch
TO - 960	402594235	Timer
TO - 920	402594233	Switch
TO - 920	402594235	Timer
TO - 930	402594233	Switch
TO - 930	402594235	Timer
VEC	402594241	
PM - LTF	402594244	
KD	402594243	
FP - 36	402594237	
FP - 66		
FP - 37		
FP - 67		
FT	402594247	
PD		
PM		
PS		
FP - 38		
FP - 68		
FE	402594272	
BM	402594236	
BMV		
HD		
WE		
WEV		
OTS		
UH		
BM-D	402594271	
SE		
CW		
GV		

