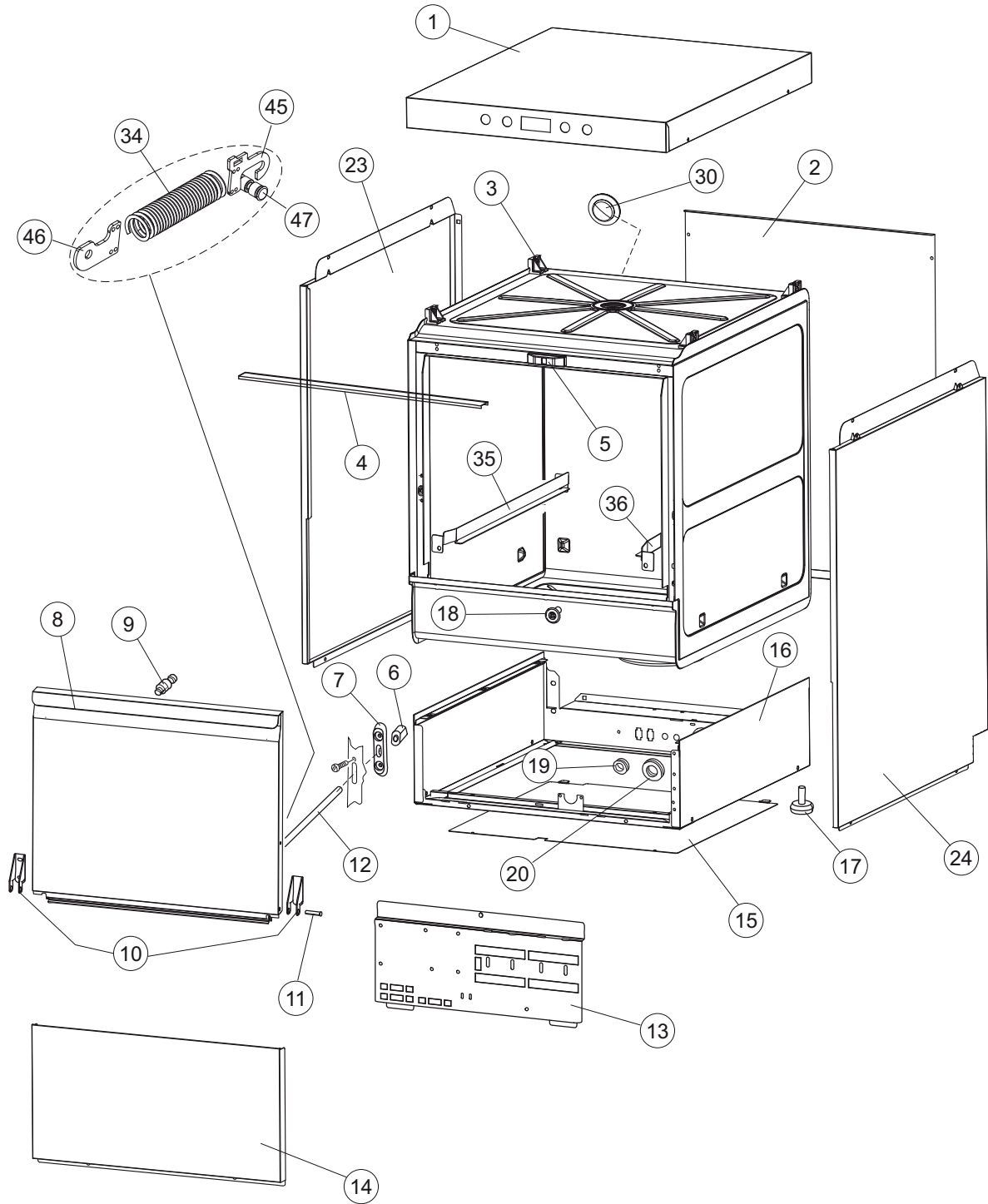
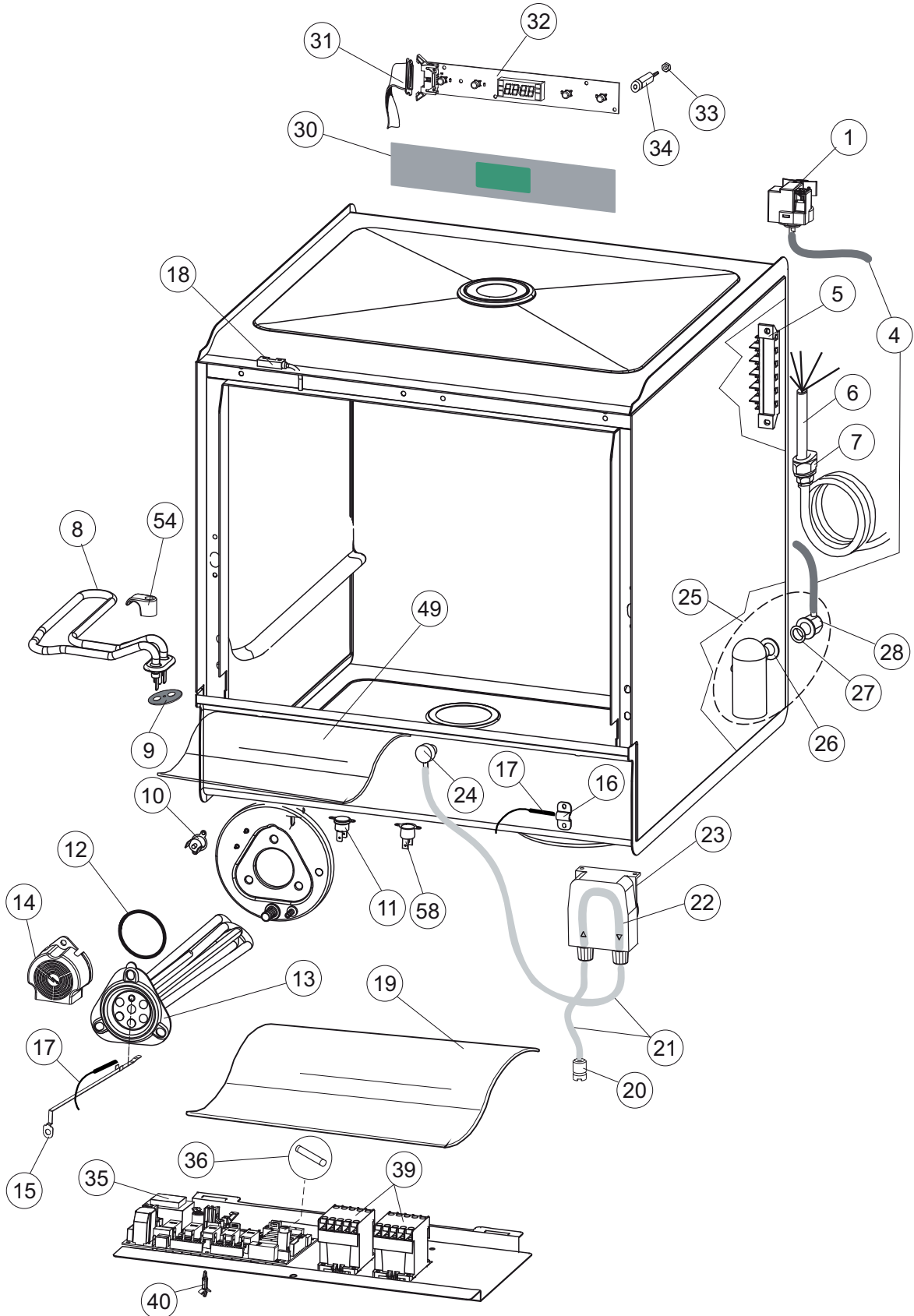


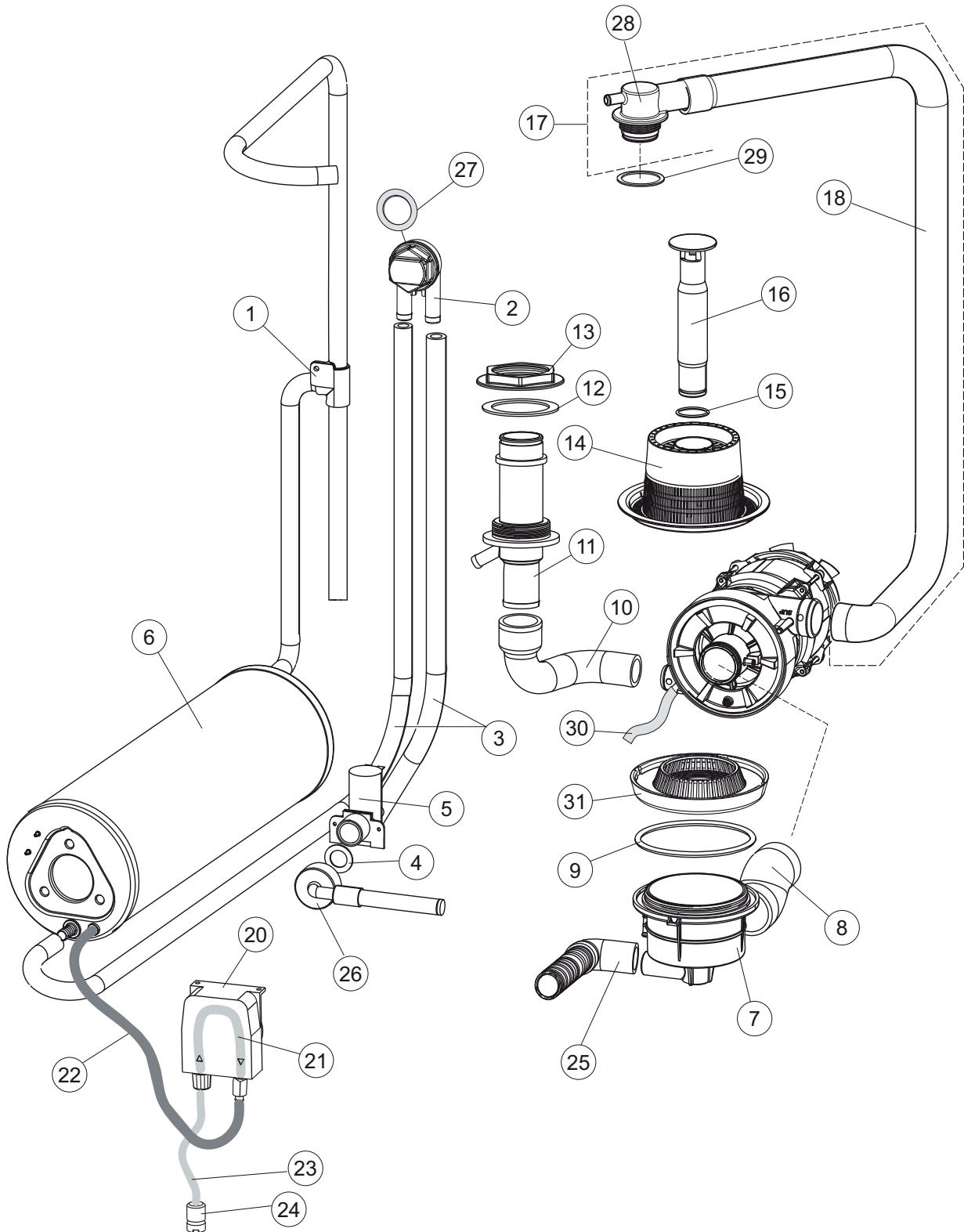
NT 93 - 1
2021_04



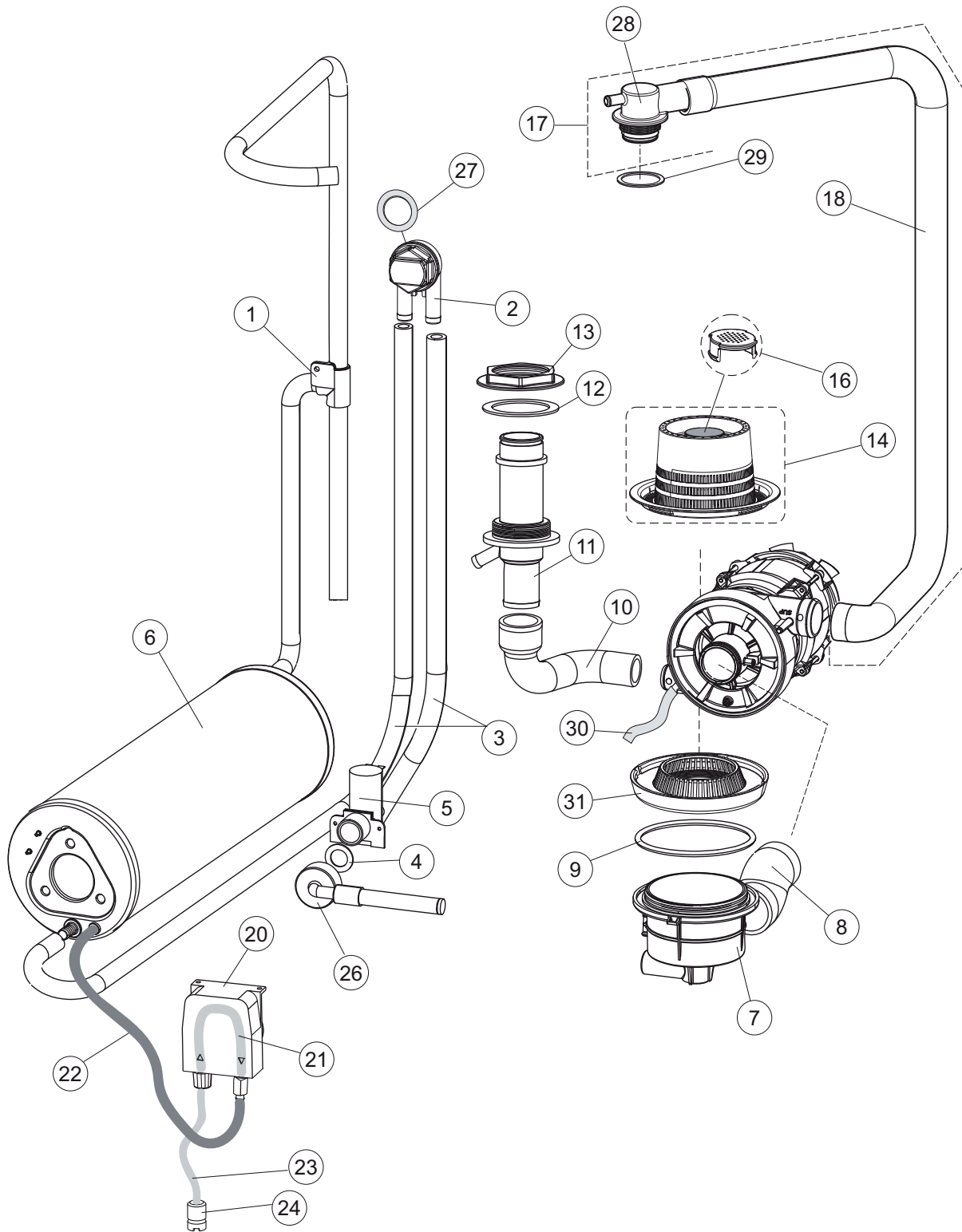
NT 93 - 2
2021_04



NT 93 - 3
2021_04

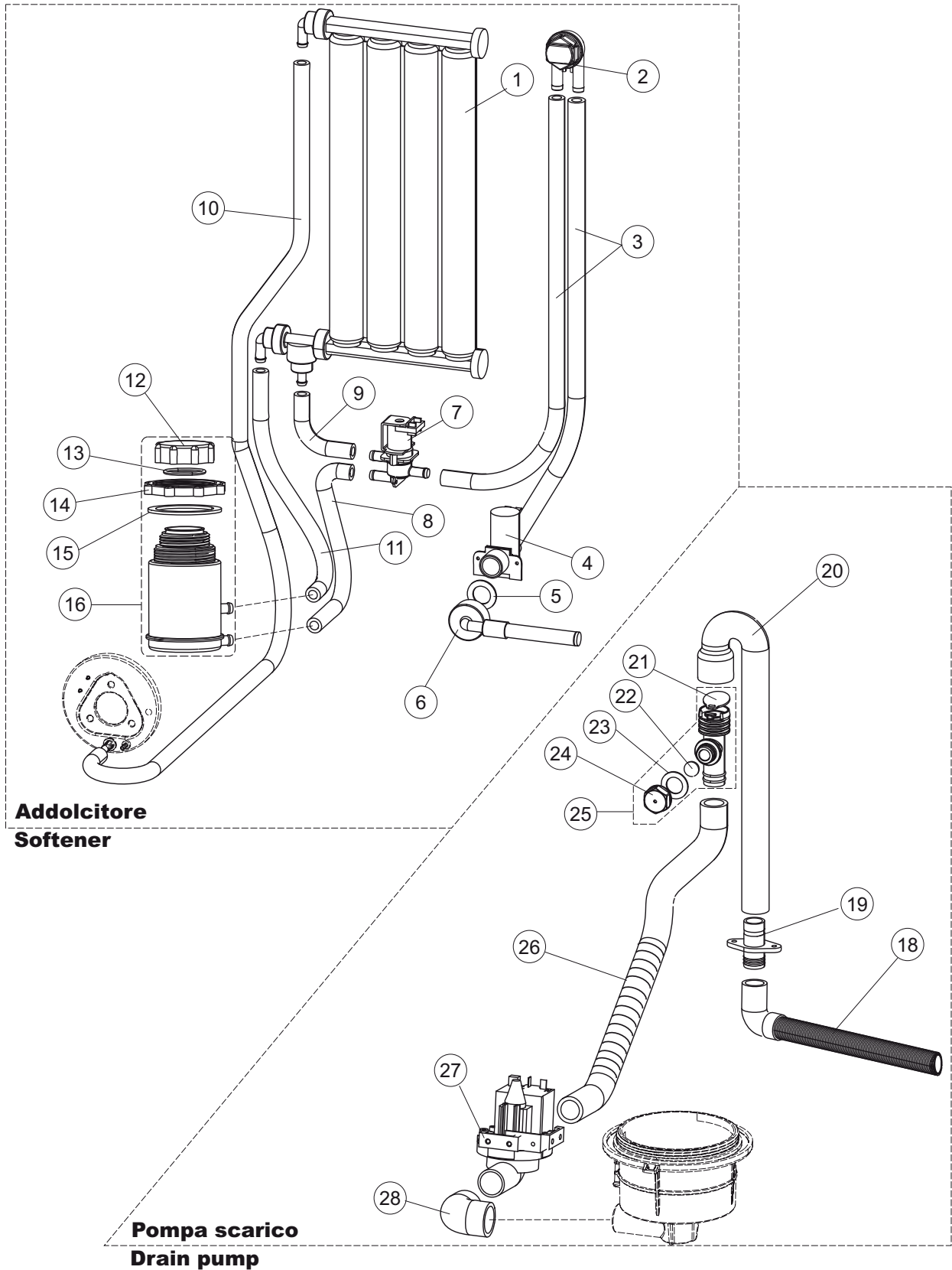


NT 93 - 4
2021_04

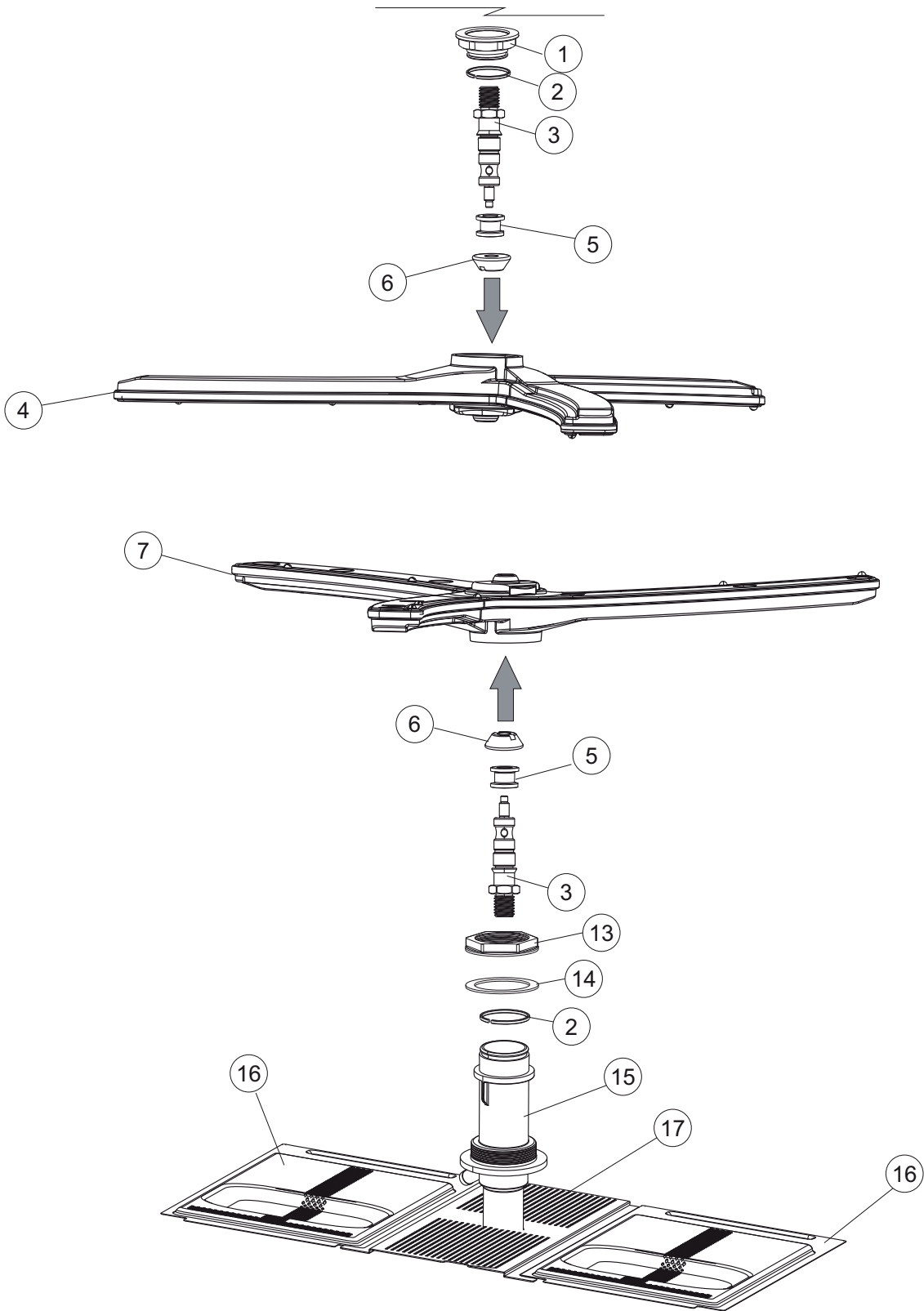


DRAIN PUMP(Optional)

NT 93 - 5
2021_04

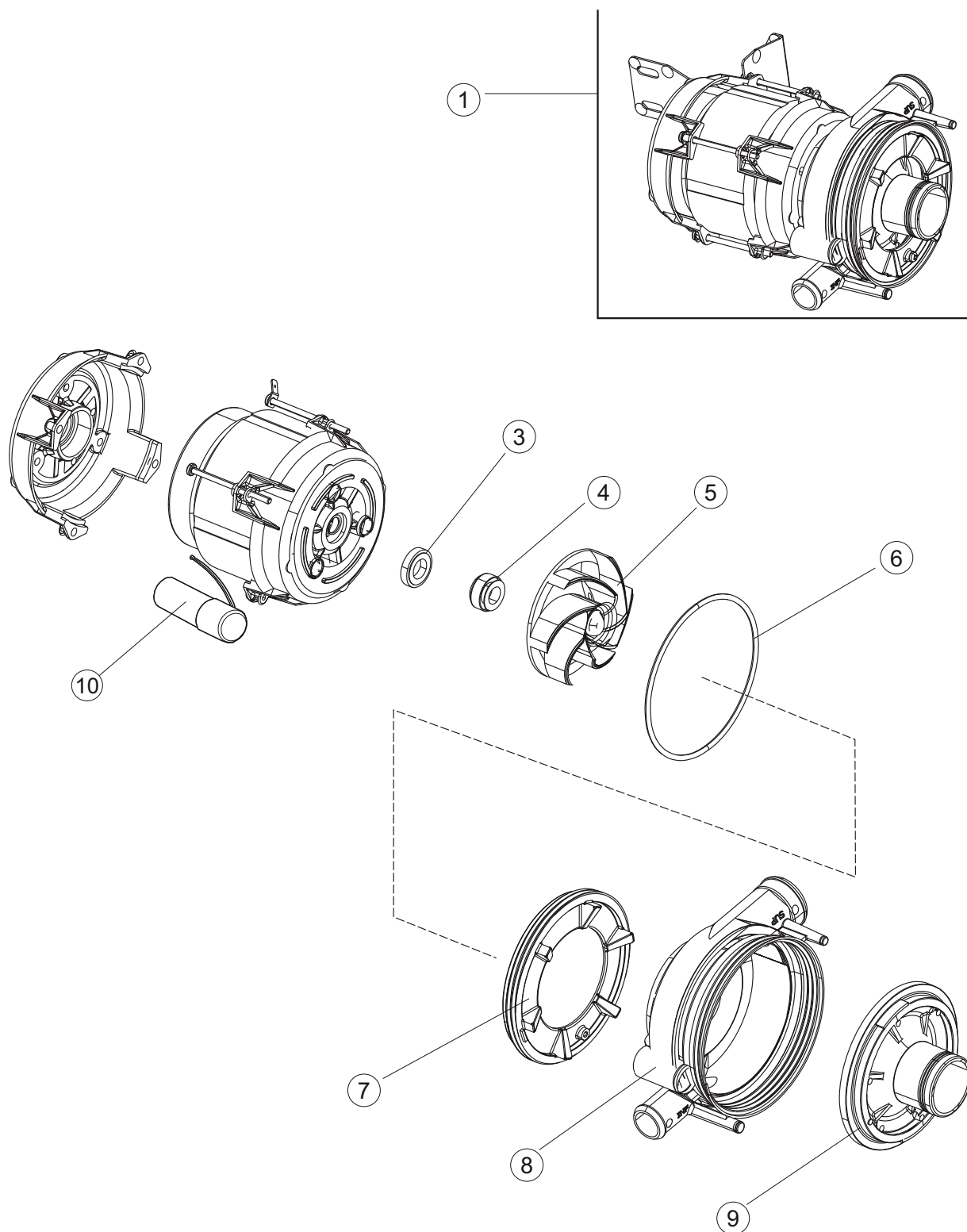


NT 93 - 6
2021_04





NT 93 - 7
2021_04





NT 93
2021_04

Page	Spare part position	Spare part code no.	Old code number	Description
1	1	004368		COVER
1	2	022171		BACK PANEL
1	3	035113		SUPPORT BRACKET
1	4	437081	REB437081	DOOR GASKET 50/505
1	5	994012	DWS30	DOOR LOCK FOR DISHWASHERS
1	6	417041	REB417041	DOOR CLOSING CONTACT BETA 50 (S6198)
1	7	307003	REB307003	NUT OF TOP DOOR-STOP BAR
1	8	029838		DOOR
1	9	325066	REB325066	DOOR CLOSURE STAKE FOR GLASSWASHERS
1	10	311032		DOOR BRACKET
1	11	325036	REB325036	PIVOT
1	12	304021	REB304021	DOOR TIE ROD FOR DISHWASHER (S6323)
1	13	035112		WIRING PANEL
1	14	012355		FRONT PANEL
1	15	030208		PRICE TO BE DEFINED
1	16	040147		BASE FRAME LA600
1	17	461019	REB461019	HEXAGONAL FOOT ADJUSTABLE FOR DISHWASHER
1	18	480153		PLUG
1	19	459006	REB459006	CHOCK D INT 9 EST 16
1	20	459004	REB459004	DRAIN PUMP CHOCK
1	23	021155		LEFT SIDE PANEL
1	24	021154		RIGHT SIDE PANEL
1	30	480084		PLUG
1	34	449067		SPRING LA600 L=66MM
1	35	015078		PRICE TO BE DEFINED
1	36	015077		PRICE TO BE DEFINED
1	45	028117		FIXING PLATE
1	46	028118		FIXING PLATE
1	47	325124		PIVOT
2	1	224031		PRESSURE SWITCH
2	4	143235		PIPE
2	5	220011	REB220011	TERMINAL BLOCK



NT 93
2021_04

Page	Spare part position	Spare part code no.	Old code number	Description
2	6	H.374339-2		CABLE H07RN-F 5X2.5X2.5MT
2	7	459005	REB459005	CABLE-RETAINER
2	8	74169		HEATING ELEMENT 2100W 230V
2	9	437086	REB437086	PACKING OF THE TANK RESISTANCE
2	10	236047	REB236047	SAFETY TANK THERMOSTAT 95C
2	11	236061		THERMOSTAT 127
2	12	456002	REB456002	O-RING
2	13	74086		HEATING ELEMENT
2	14	69870		BOILER HEATING ELEMENT PROTECTION
2	15	69871		PROBE HOLDER
2	16	028105		FIXING PLATE
2	17	231016		TEMPERATURE PROBE
2	18	80871		MAGNETIC DOOR SWITCH
2	19	214114		TRANSPARENT PROTECTION FOR ELECTRIC INSTALLATION FOR DISHWASHER
2	20	121993		FILTER AID DISPENSER
2	21	143194	REB143194	PIPE
2	22	143258		"SANTOPRENE" PIPE
2	23	209043		DETERGENT DOSING PUMP
2	24	999348		DETERGENT TANK FITTING
2	25	984007		CONTROL GROUP THE LEVEL OF WATER
2	26	437019	REB437019	PACKING FOR AIR TRAP OF PRESSURE SWITCH
2	27	456020	REB456020	O-RING
2	28	468029	REB468029	AIR TRAP CONNECTION OF PRESSURE SWITCH
2	30	056488		CONTROL ADHESIVE INTERFACE NT93-97 RM GASTRO
2	31	211013		FLAT WIRE
2	32	74904		CONTROL KEYBOARD
2	33	417119		NUT
2	34	419036		INTERFACE BOARD DISTANCE KEEPERS
2	35	215042-9		MAIN BOARD GET50.2 ELETTRONICA J
2	36	228010		FUSE
2	39	229042		AUXILIARY CONTACT
2	40	461028		FOOT BOARD SUPPORT



NT 93
2021_04

Page	Spare part position	Spare part code no.	Old code number	Description
2	49	214108		PVC CURTAIN FOR ELECTRIC PROTECTION
2	54	999351		GROUP STOPPED TANK HEATER
2	58	236052		THERMOSTAT 90+/-3C
3	1	143275		PRICE TO BE DEFINED
3	2	144030		NO RETURN VALVE
3	3	143004	REB143004	PIPE
3	4	437041	REB437041	GASKET
3	5	240011	REB240011	FILL VALVE
3	6	104060		BOILER
3	7	136030		ASPIRATION AND DRAIN BODY
3	8	127082		DELIVERY WASH HOSE
3	9	456076		O-RING
3	10	127085		DELIVERY WASH HOSE
3	11	115143		MAINFOLD
3	12	437102		GASKET
3	13	429073		RING NUT
3	14	121120		STAINER
3	15	456081		O-RING
3	16	142058		OVERFLOW PIPE
3	17	115154		PRICE TO BE DEFINED
3	18	127192		DELIVERY HOSE
3	20	209042		DOSING PUMP
3	21	143261		HOSE
3	22	143005	SPG10	LINEN RUBBER PIPE 5X12 - BLACK
3	23	H.775601		PIPE
3	24	121993		FILTER AID DISPENSER
3	25	143252		DRAIN HOSE
3	26	143270		INLET WRAS PIPE
3	27	437080		GASKET
3	28	115149		SUPPORT ARMS WASH / RINSE
3	29	437113		GASKET
3	30	H.165168		PIPE



NT 93
2021_04

Page	Spare part position	Spare part code no.	Old code number	Description
3	31	429072		RING NUT
4	1	143275		PRICE TO BE DEFINED
4	2	144030		NO RETURN VALVE
4	3	143004	REB143004	PIPE
4	4	437041	REB437041	GASKET
4	5	240011	REB240011	FILL VALVE
4	6	104060		BOILER
4	7	136030		ASPIRATION AND DRAIN BODY
4	8	127082		DELIVERY WASH HOSE
4	9	456076		O-RING
4	10	127085		DELIVERY WASH HOSE
4	11	115143		MAINFOLD
4	12	437102		GASKET
4	13	429073		RING NUT
4	14	121135		SUCTION FILTER UNIT
4	16	480162		PLUG
4	17	115154		PRICE TO BE DEFINED
4	18	127192		DELIVERY HOSE
4	20	209042		DOSING PUMP
4	21	143261		HOSE
4	22	143005	SPG10	LINEN RUBBER PIPE 5X12 - BLACK
4	23	H.775601		PIPE
4	24	121993		FILTER AID DISPENSER
4	26	143270		INLET WRAS PIPE
4	27	437080		GASKET
4	28	115149		SUPPORT ARMS WASH / RINSE
4	29	437113		GASKET
4	30	H.165168		PIPE
4	31	429072		RING NUT
5	1	117009		WATER SOFTNER
5	2	144030		NO RETURN VALVE
5	3	143004	REB143004	PIPE



NT 93
2021_04

Page	Spare part position	Spare part code no.	Old code number	Description
5	4	240016	DEV3S16	SOLENOID VALVE
5	5	437041	REB437041	GASKET
5	6	143270		INLET WRAS PIPE
5	7	999288		SOLENOID VALVE
5	8	127138		SLEEVE
5	9	127140		SLEEVE
5	10	127137		SLEEVE
5	11	127139		SLEEVE
5	12	480005	REB480005	SALT CONTAINER SCREW CAP
5	13	456052	REB456052	O-RING
5	14	429011	REB429011	RING NUT
5	15	437034	REB437034	GASKET
5	16	406998	REB406998	SALT CONTAINER UNIT
5	18	143137	REB143137	DRAIN HOSE
5	19	468152	REB468152	DRAIN CONNECTION FOR DISHWASHERS SERIE
5	20	127136		SLEEVE
5	21	499092		DIAPHRAGM VALVE VENT
5	22	476008		SPHERE
5	23	437083		GASKET
5	24	468199		PIPE FITTING
5	25	144992		NO RETURN VALVE
5	26	127158		SLEEVE
5	27	999364		DRAIN PUMP + BRACKET 220/240-50HZ
5	28	127134		SUCTION PIPE
6	1	429079		RING NUT
6	2	303040		RING
6	3	325115		PIVOT
6	4	990146		RINSE AND WASH ARM 3 ARMS CD-TYPE
6	5	308039		PLASTIC ARM BUSH
6	6	454007		PIN
6	7	990145		RINSE AND WASH ARM 3 ARMS CD-TYPE
6	13	429073		RING NUT



NT 93
2021_04

Page	Spare part position	Spare part code no.	Old code number	Description
6	14	437102		GASKET
6	15	115143		MAINFOLD
6	16	121171		STAINER
6	17	033496		CENTRAL CROSS ARM FOR SPRING HOOKING
7	1	130968		WASHING UNIT LA600 50HZ
7	3	141008		WASHPUMP SHAFT SEAL
7	4	141009		WASHPUMP SHAFT SEAL
7	5	73076		ELECTROPUMP IMPELLER 73048 (3235)
7	6	456078		O-RING
7	7	429074		RING NUT
7	8	73052		ELECTROPUMP HOUSING
7	9	73051		PLUG
7	10	73055		CAPACITOR