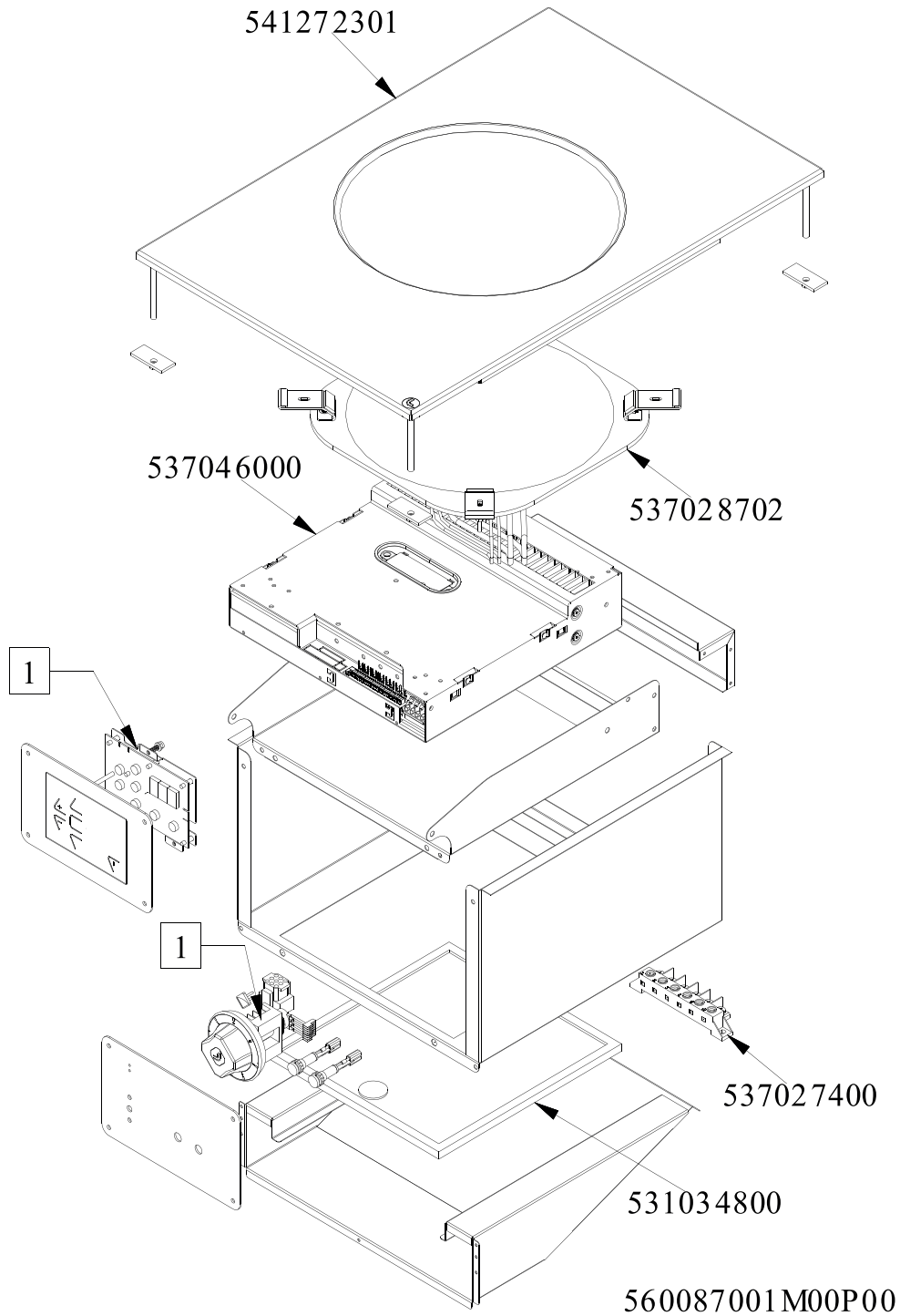


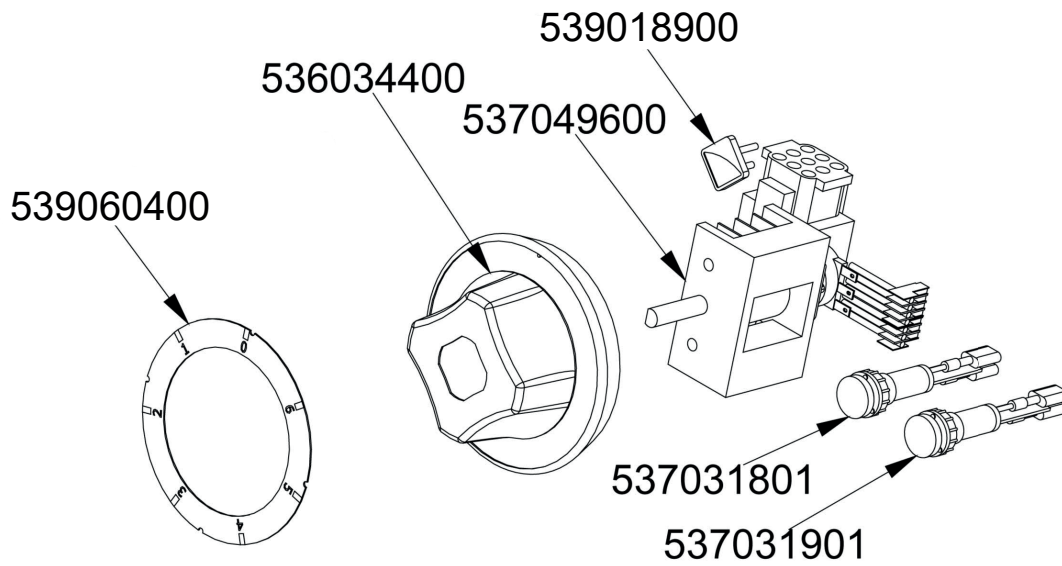
RM Drop In
 Platný od 1.5. 2019
 PCIWD-64ET, PCIWD-68ET



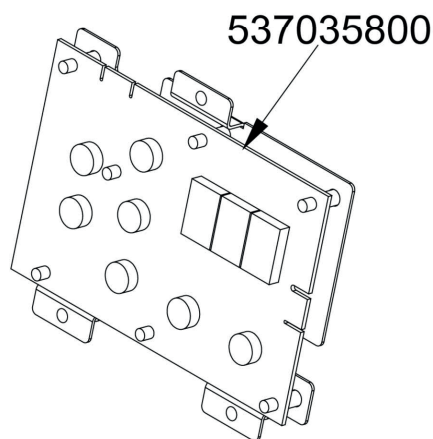


Objednací kód	Popis v ENG
541272301	UPPER PLATE DROP IN PCIWD-64ET V
537046000	GENERATOR PCI WOK 5KW 400V3 (C)
537028702	INDUCTANCE PCI WOK
537027400	TERMINAL BLOCK THREEPHASE 40A
531034800	NET FILTER FOR KSK
-	-

(ET)



(ETD)



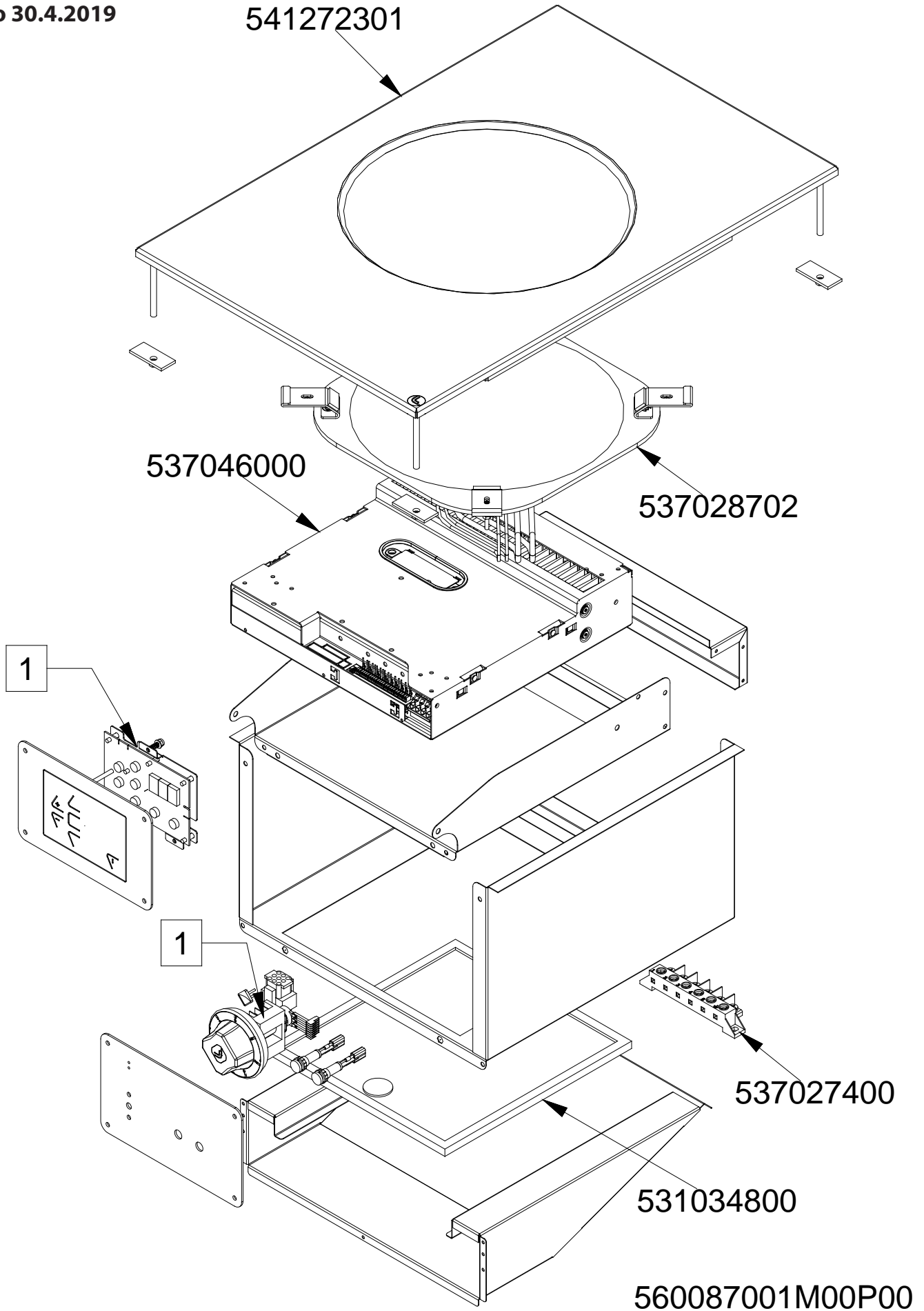
560099501M00P00



Objednací kód	Popis v ENG
539018900	INDEX FOR KNOB RED SIGN
537049600	COMPLETE CONTROL FOR INDUCTORS
536034400	KNOB §77 4P. §06*4,6 C/M
539060400	RED ADESIVE DISK FOR PCC/PCI-E
537031801	GREEN WARNING LIGHT 12V E FASTON
537031901	RED WARNING LIGHT PCI 12V E FASTON
537035800	TOUCH ELECTRONIC BOARD FOR PCI

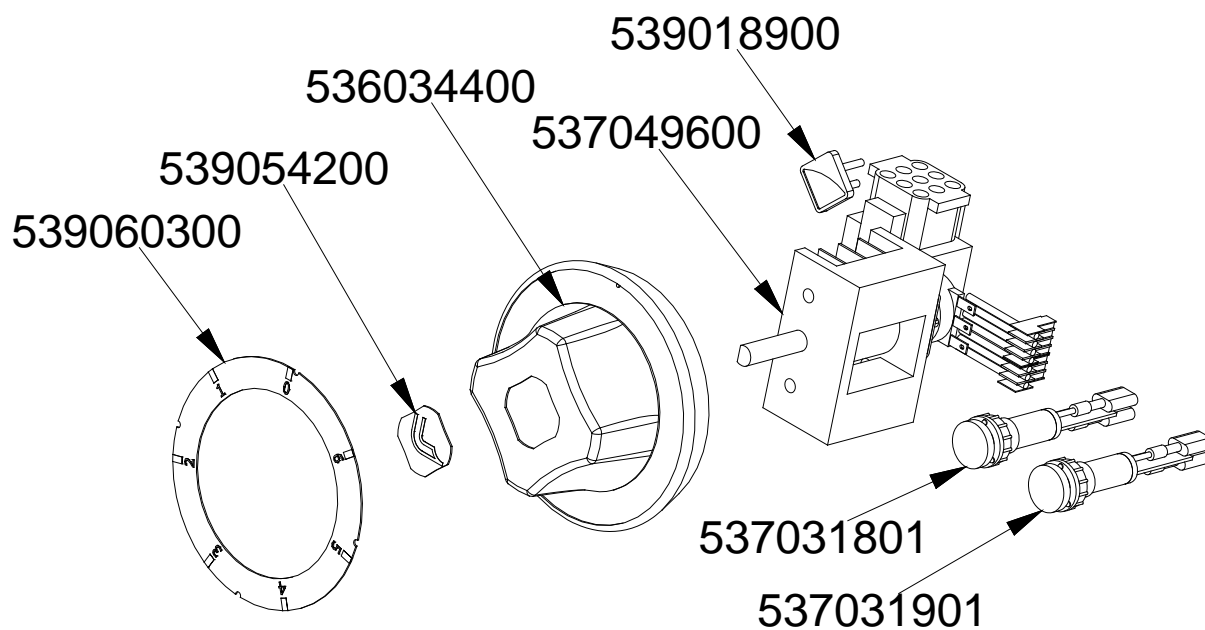


PCIWD-64ET PCIWD-64ETD
Platný od 1.5.2016
do 30.4.2019



PCID-E, PCID-ED, PCIWD-E, PCIWD-ED
Platný od 1.5.2016
do 30.4.2019

(ET)



(ETD)

