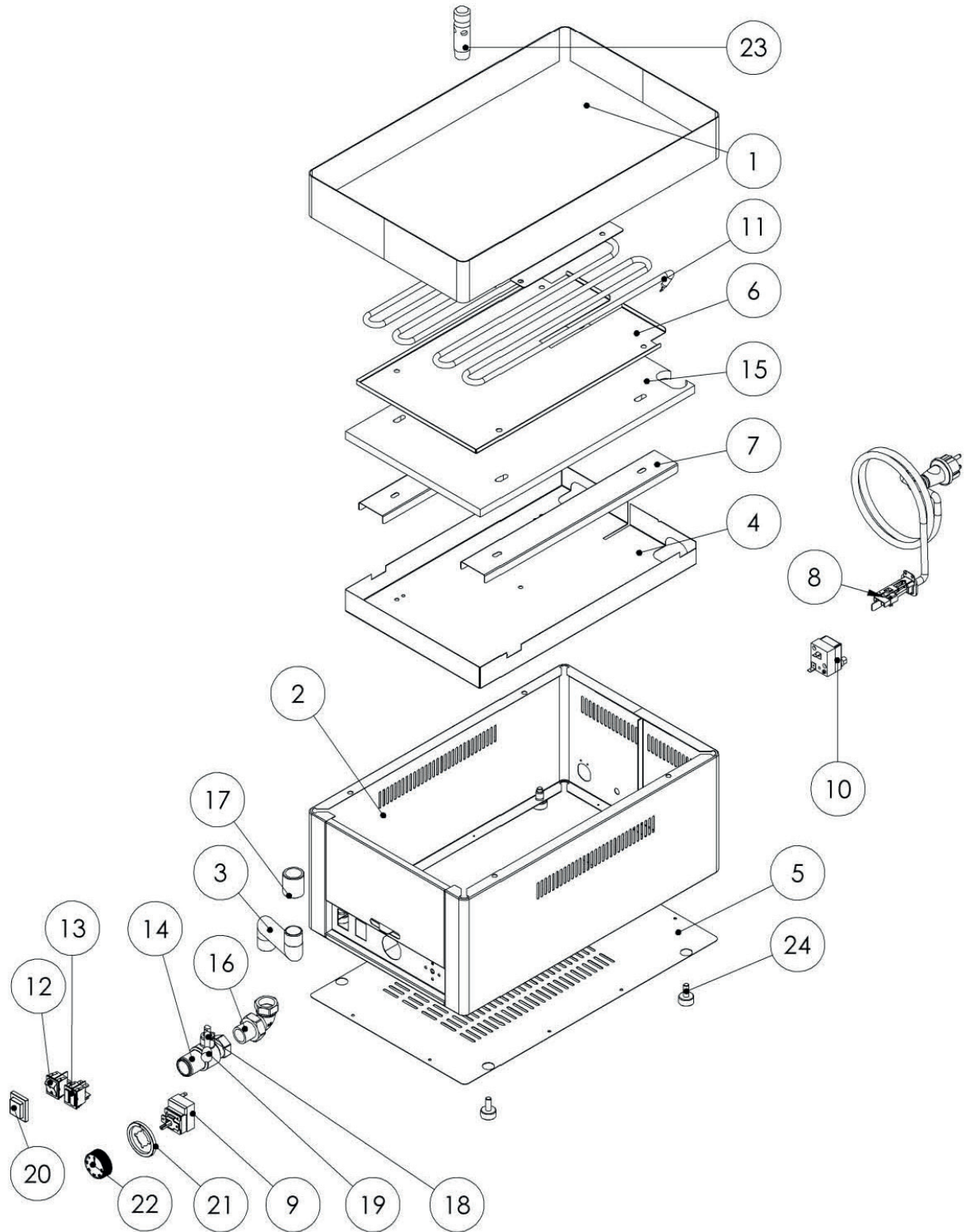


FT 30 MK  
2017\_04



FT 30 MK  
2017\_04

| Pozice | Kód       |
|--------|-----------|
| 1      | 500300305 |
| 2      | 500300301 |
| 3      | 500300303 |
| 4      | 451002410 |
| 5      | 451002000 |
| 6      | 451007500 |
| 7      | 451008716 |
| 8      | 500113500 |
| 9      | 402503150 |
| 10     | 402511200 |
| 11     | 401025000 |
| 12     | 401500500 |
| 13     | 401510001 |
| 14     | 409002100 |
| 15     | 407502101 |
| 16     | 409006250 |
| 17     | 408300303 |
| 18     | 408704100 |
| 19     | 407803190 |
| 20     | 401509000 |
| 21     | 402595000 |
| 22     | 402593000 |
| 23     | 408707101 |
| 24     | 407810500 |

# Exploded view

TABLE A: LABELS

| MODEL    | CODE      | NOTE   |
|----------|-----------|--------|
| VT       | 402594273 |        |
| TO - 940 | 402594234 | Switch |
| TO - 940 | 402594235 | Timer  |
| TO - 960 | 402594234 | Switch |
| TO - 960 | 402594235 | Timer  |
| TO - 920 | 402594233 | Switch |
| TO - 920 | 402594235 | Timer  |
| TO - 930 | 402594233 | Switch |
| TO - 930 | 402594235 | Timer  |
| VEC      | 402594241 |        |
| PM - LTF | 402594244 |        |
| KD       | 402594243 |        |
| FP - 36  | 402594237 |        |
| FP - 66  |           |        |
| FP - 37  |           |        |
| FP - 67  |           |        |
| FT       | 402594247 |        |
| PD       |           |        |
| PM       |           |        |
| PS       |           |        |
| FP - 38  |           |        |
| FP - 68  |           |        |
| FE       | 402594272 |        |
| BM       | 402594236 |        |
| BMV      |           |        |
| HD       |           |        |
| WE       |           |        |
| WEV      |           |        |
| OTS      |           |        |
| UH       |           |        |
| BM-D     | 402594271 |        |
| SE       |           |        |
| CW       |           |        |
| GV       |           |        |

