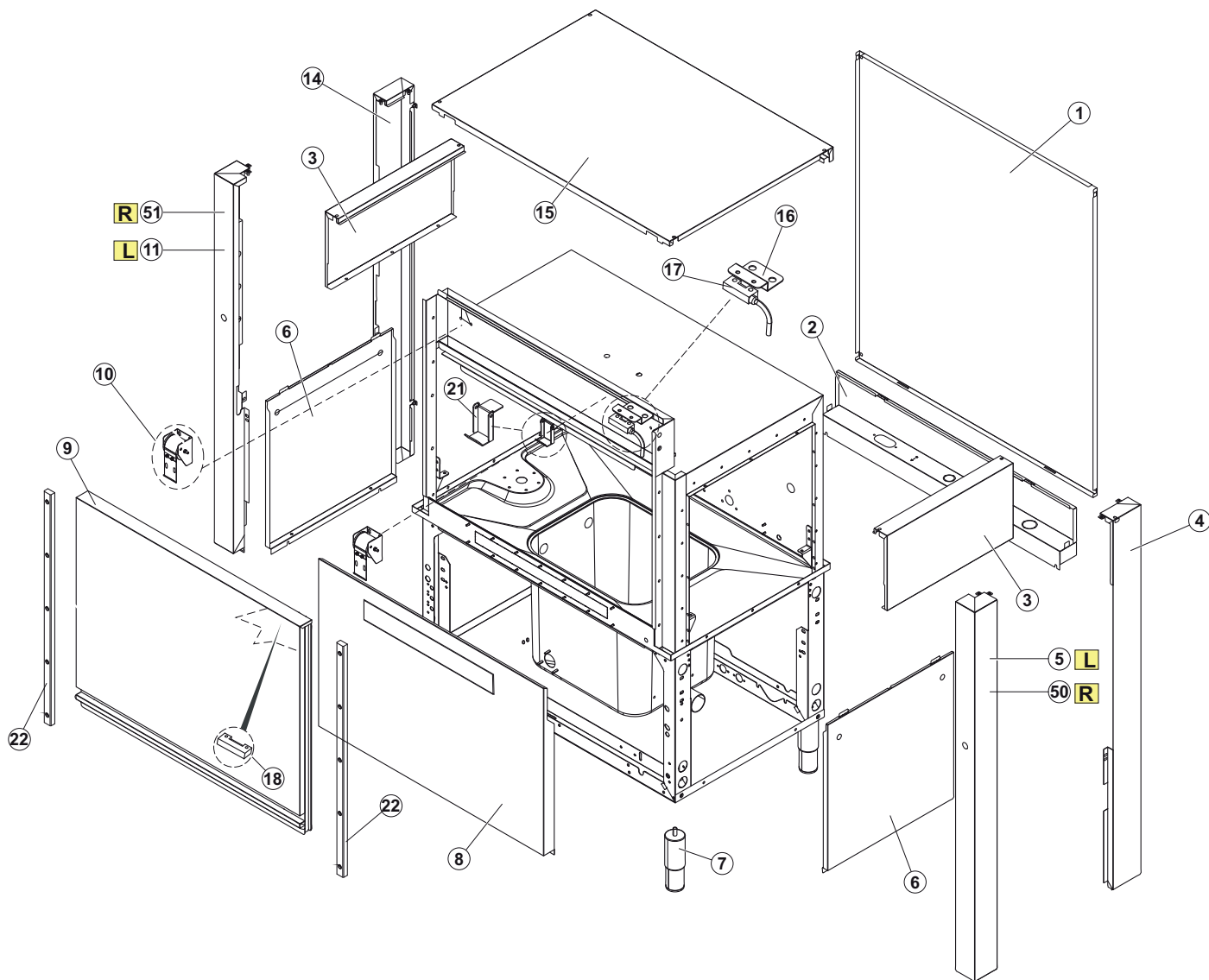


Rozkres



CT 160 W ABT RX, CT 160 ABT LX, CT 160 ABT RX, CT 160 W ABT LX

ROZKRES 1/7



L		Výstup vlevo
P		Výstup vpravo

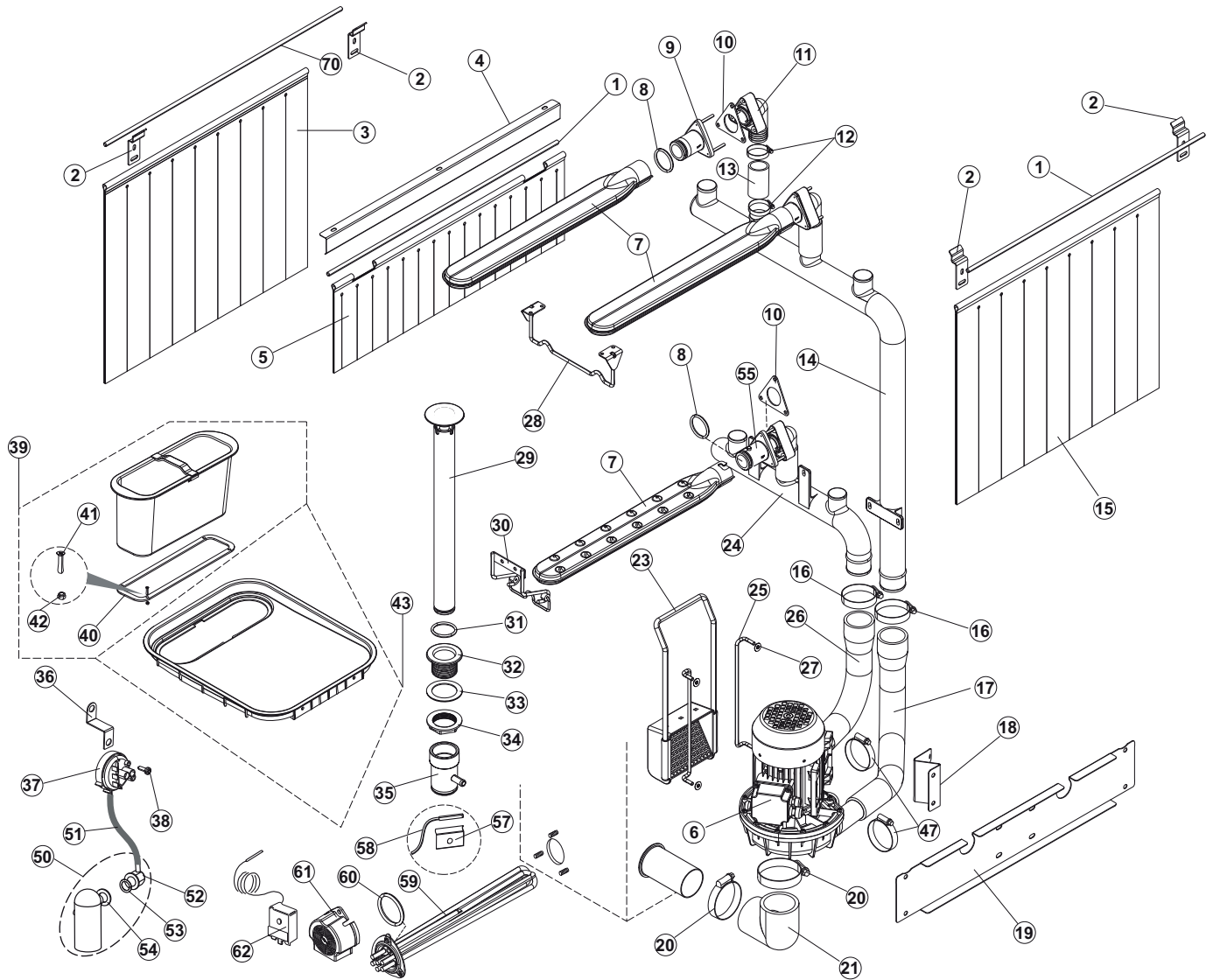
ROZKRES 1/7

Č. POLOŽKA

1	Not in price-list	65244
2	Back panel	65080
3	Front panel	65035
4	Corner rear right panel	65258
5	Right corner control panel	65331
6	Side panel	65054
7	Foot	73100
8	Front panel	65287
9	Kit door wash unit	K65282
10	Door spring kit	65654
11	Corner front right panel	65338

14	Corner rear left panel	65259
15	Top panel	65050
16	Bracket	65256
17	Magnetic door switch	80871
18	Magnet for hood microswitch	927088
	Magnet for hood microswitch (Old number)	CWM7
21	Door safety hook for rack-conveyor	75064
22	Slides conveyor door	75647
50	Supporting upright	65337
51	Not in price-list	65231

ROZKRES 2/7

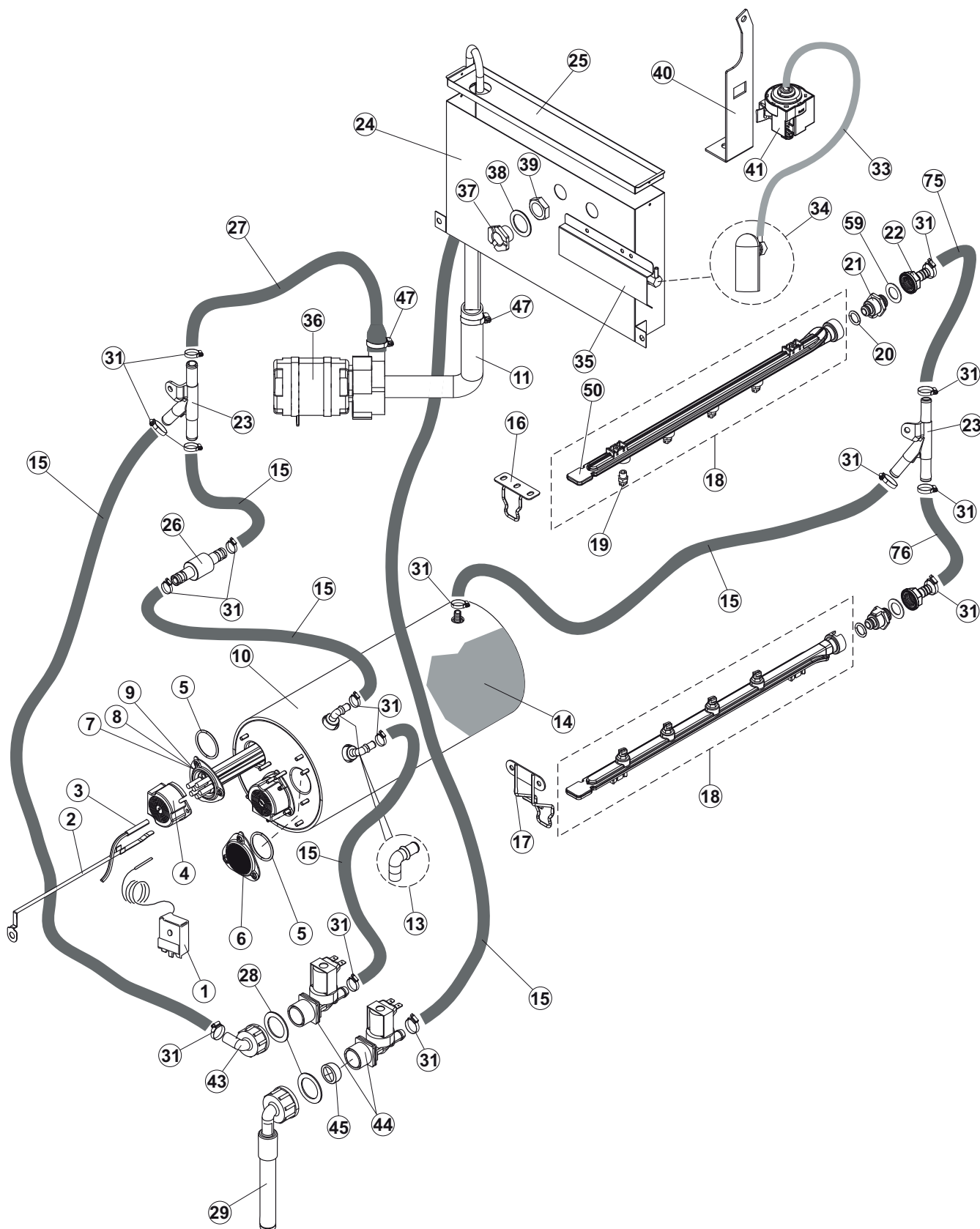


ROZKRES 2/7

Č. POLOŽKA

1	Curtain support for rack-conveyor dish-	75124
2	Support bracket	65128
3	Curtain	65210
4	Curtain supporting bracket	65162
5	Curtain	65227
6	Washpump	70100
7	Complete wash arm	75616
8	O-Ring	CGR4131NT
9	Connecting arm	75645
10	Gasket	437050
	Gasket (Old number)	REB437050
11	Pipe fitting	75155
12	Not in price-list	CFS32
13	Delivery wash hose	75154
14	Pipe	65177
15	Curtain	65210
16	Clamp, torro w1/w2b 50-70/12	CFS2
17	Pipe	65624
18	Support bracket	65326
19	Bracket	65330
20	Clamp, hose-type torro w2b 60-80/12	CFS3
21	Pipe elbow	926056
	Pipe elbow (Old number)	DZG461
23	Pump aspiration filter	75661
24	Pipe + parz.77018	K65176
25	Aspiration filter slide	42092
	Aspiration filter slide (Old number)	C.42092
26	Pipe	65623
27	Washer	472061
28	Bracket	65293
29	Overflow pipe	75864
30	Support bracket wash arm	65212
31	O-Ring	CGR4131NT
32	Drain connection	75871

33	Gasket	75873
34	Nut waste drain	75872
35	Drain fitting (plastic)	75639
36	Not in price-list	DAS20206
37	Pressure switch	926049
	Pressure switch (Old number)	DEP45
38	Screw	CVZ4
39	Collecting filter with weight	75429
40	Weight for basket stainer	75428
41	Screw, inox 4max10 tc/cross	CVI1101
42	Nut - self-lock	417091
43	Tank flat stainless steel filter	65200
47	Hose clamp	CFS1A
50	Air trap, assy	984005
	Air trap, assy (Old number)	REB984005
51	Linen rubber pipe 5x12 - black	143005
	Linen rubber pipe 5x12 - black (Old number)	SPG10
52	Air trap connection of pressure switch	468029
	Air trap connection of pressure switch (Old number)	REB468029
53	O-Ring	456020
	O-Ring (Old number)	REB456020
54	Packing for air trap of pressure switch	437019
	Packing for air trap of pressure switch (Old number)	REB437019
55	Connecting arm	75648
57	Support temperature probe	H.775489-001
58	Temperature probe	231016
59	Heating element 10500w 230/400v	80397C
60	O-Ring	456002
	O-Ring (Old number)	REB456002
61	Boiler heating element protection	69870
62	Thermostat	927057
70	Curtain support for rack-conveyor dish-	77121



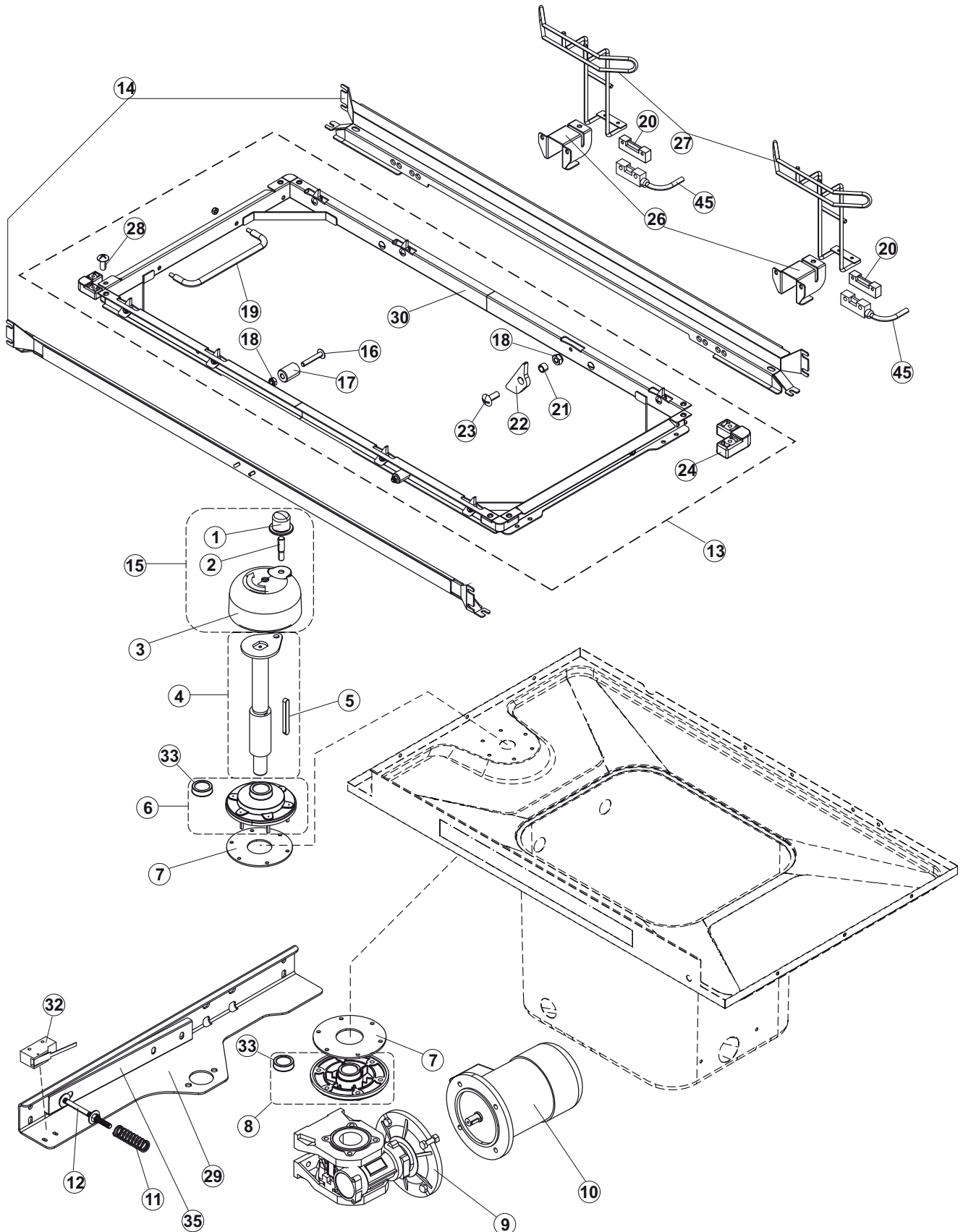
ROZKRES 3/7

Č. POLOŽKA

1	Thermostat	927057
2	Probe holder	69871
3	Temperature probe	231016
4	Boiler heating element protection	69870
5	O-Ring	456002
	O-Ring (Old number)	REB456002
6	Closed flange cap (170880543)	926053
	Closed flange cap (170880543) (Old number)	DWT100
7	Heating element 6kw	230083C
	Heating element 6kw (Old number)	REB230083C
8	Kit heating elements reb230020 (8kw)	230020C
	Kit heating elements reb230020 (8kw) (Old number)	REB230020C
9	Ready-To-Assemble kit for heating	80398C
	Ready-To-Assemble kit for heating (Old number)	C.80398C
10	Boiler	65700
11	Pipe	65069
13	Pipe fitting	65018
14	Cover insulation	65245
15	Rubber pipe 12x19,5	143010
	Rubber pipe 12x19,5 (Old number)	SPG61
16	Bracket	65582
17	Support bracket rinse arm	65588
18	Rinse arm	65788
19	Stainless steel rinse spray nozzle	65951
20	O-Ring 2050 12.42x1.78 epdm 70sh a	65727
21	Internal rinse pipe fitting aisi303	65883
22	Pipe fitting	66945
23	Junction y	143268
24	Break tank	65388
25	Cover	65390
26	Flow reducer	65607

27	Rinse delivery tube(crp)	41525
28	Gasket	437041
	Gasket (Old number)	REB437041
29	Inlet hose	143277
31	Hose clamp	927322
	Hose clamp (Old number)	CFS14
33	Pipe	143131
	Pipe (Old number)	SPG47
34	Air trap, assy	984005
	Air trap, assy (Old number)	REB984005
35	Splash protection	41059
	Splash protection (Old number)	C.41059
36	Electropump	929167
	Electropump (Old number)	DPE112
37	Ring nut	429036
	Ring nut	REB429036
38	Packing for drain unit ring nut (s6666)	437025
	Packing for drain unit ring nut (s6666)	REB437025
39	Nut - chromium plated	CDO134CR
40	Not in price-list	75621
41	Pressure switch	224031
43	Pipe connection	927326
	Pipe connection	DZR666
44	Solenoid valve	240016
	Solenoid valve	DEV3S16
45	Flow reducer	75976
47	Not in price-list	CFS32
50	Rinse arm	65545
59	Gasket es/am verde 33x21x1,5	65749
75	Rinse pipe l 200 racc 90	65747-A
76	Rinse pipe l 380 racc 90	65747-B

ROZKRES 4/7



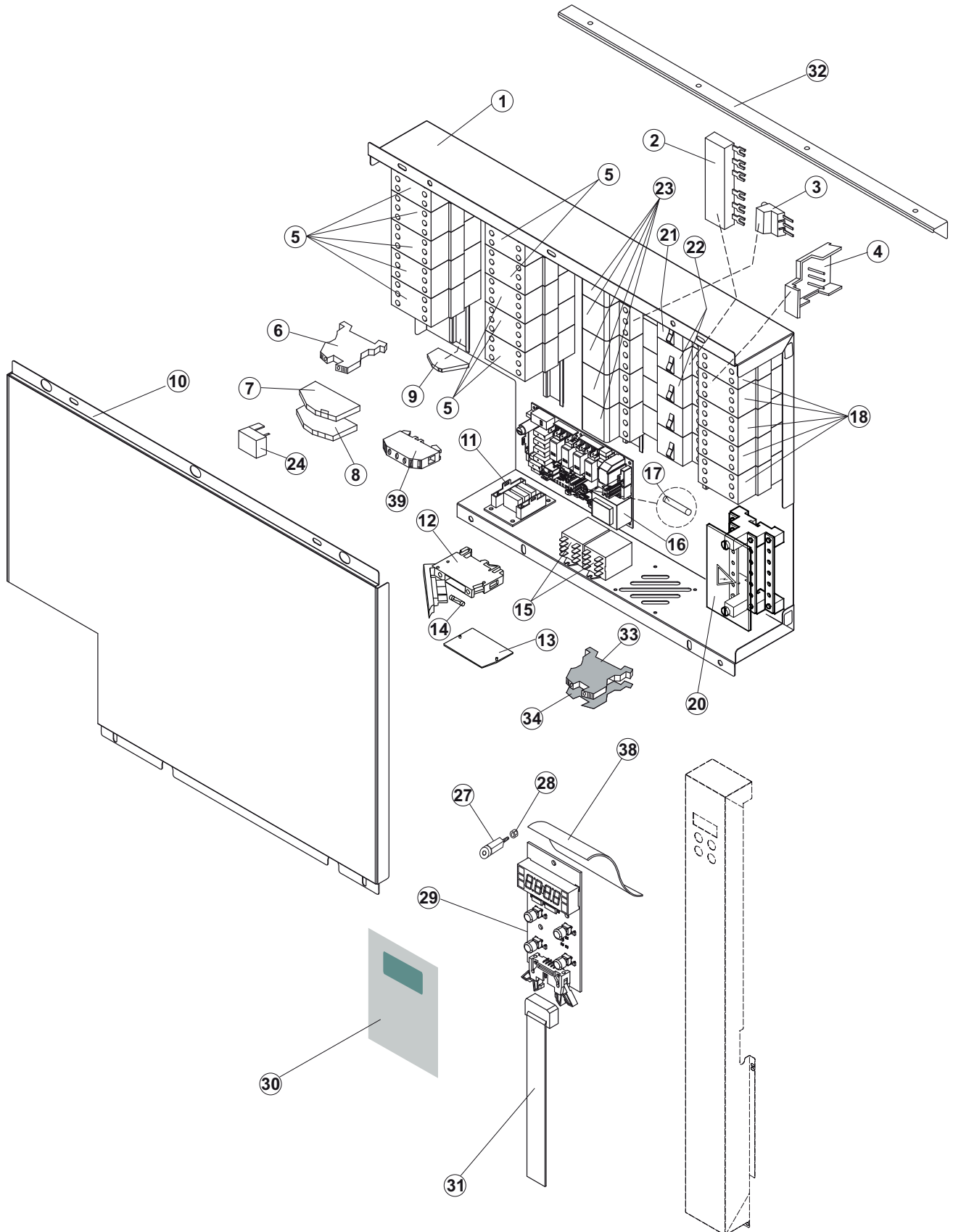
ROZKRES 4/7

Č. POLOŽKA

1	Washer	75058
2	Pivot	75234
3	Splash protection	75649
4	Gear shaft conveyor	65235
5	Geared motor key	65235C
6	Upper flange shaft conveyor	K75141
7	Gasket	75168
8	Lower bush & seal	K75057
9	Gearmotor sw050pa mec71b5 i=50	65923
10	Motor 180w v 400	927105
	Motor 180w v 400 (Old number)	DPM1205
11	Spring	CMT13
12	Screw	60354
13	Rack conveyor	75869
14	Rack slide rackconveyor only spare part	K65024
15	Kit protective plate of splashing water	K75649
16	Screw	75310
17	Buffer for drive stop	75076
18	Nut - self-lock	CDI206AU
19	Rack conveyor handle	75073

20	Magnet for hood microswitch	927088
	Magnet for hood microswitch (Old number)	CWM7
21	Bush	75077
22	Rack conveyor cog	75071
23	Screw, inox spec.6max16 t.1/2 t. poelier	CVI172
24	Sled cart towing	75075
25	Not in price-list	65022
26	Bracket economizer	75110
27	Operated rinsing lever	75095
28	Stainless steel screw 4max10 tbc-r-sp	486169
	Stainless steel screw 4max10 tbc-r-sp (Old number)	REB486169
29	Not in price-list	65217
30	Towing rack	75868
32	Microswitch	927246
	Microswitch (Old number)	DEM11NT
33	Seal ring mim 30x40x7 (mim 30407)	927095
	Seal ring mim 30x40x7 (mim 30407) (Old number)	DWA202
35	Support bracket	75218
45	Magnetic door switch	80871

ROZKRES 5/7



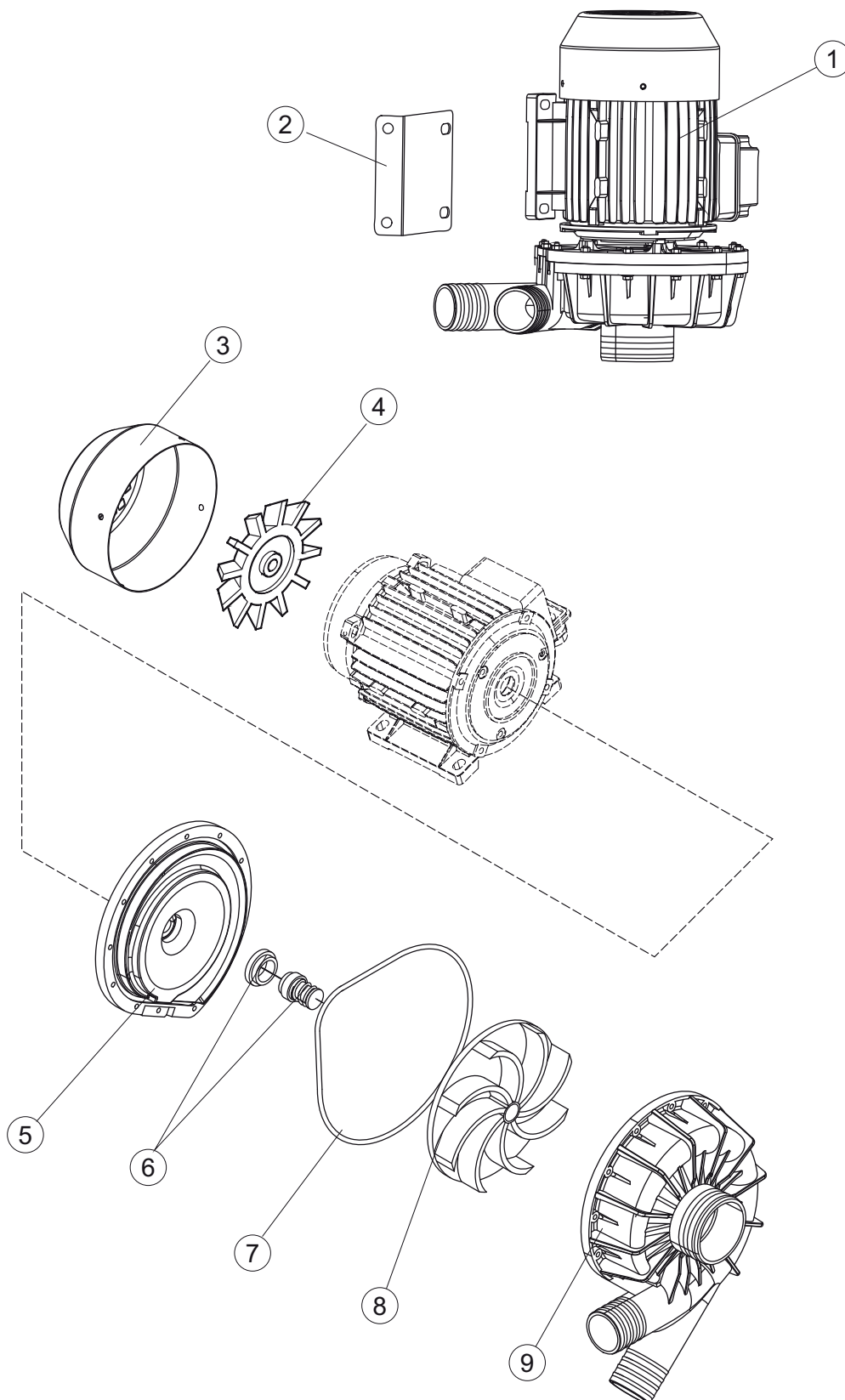
ROZKRES 5/7

Č. POLOŽKA

1	Panel for electrical components	65680
2	Bar electrical connection	80829
3	Power connector	80826
4	Connector	73830
5	Contactor	73351
6	Terminal block	927115
	Terminal block	DEM4L
7	Not in price-list	74938
8	Not in price-list	74939
9	Electrical connector for u-shaped bar	75817
10	Cover	65683
11	Main board	74903
12	Fuse-Holder	74935
13	Plug	H.228048
14	Fuse	228014
15	Relay 16a 230v	929115
	Relay 16a 230v (Old number)	DER1108
16	Main board 215042+ firmware26(fw_0_xxa.q014)	215042-2
17	Fuse	228010

18	Contactor	73350
20	Terminal block	75983
21	Automatic switch	DEI40N
22	Automatic switch	DEI36N
23	Fuse-Holder - tripolar gk1-df	927038
	Fuse-Holder - tripolar gk1-df (Old number)	DEP2F
24	Not in price-list	74940
27	Interface board distance keepers	419036
28	Nut	417119
29	Control keyboard	74901
30	Control adhesive interface ct120 rm gastro	66718
31	Flat cable with protective sheath	74933
32	Bracket	65491
33	Not in price-list	74936
34	Plug	65981
38	Pvc curtain for electric protection	214088
39	Terminal block	927114
	Terminal block (Old number)	DEM27

ROZKRES 6/7



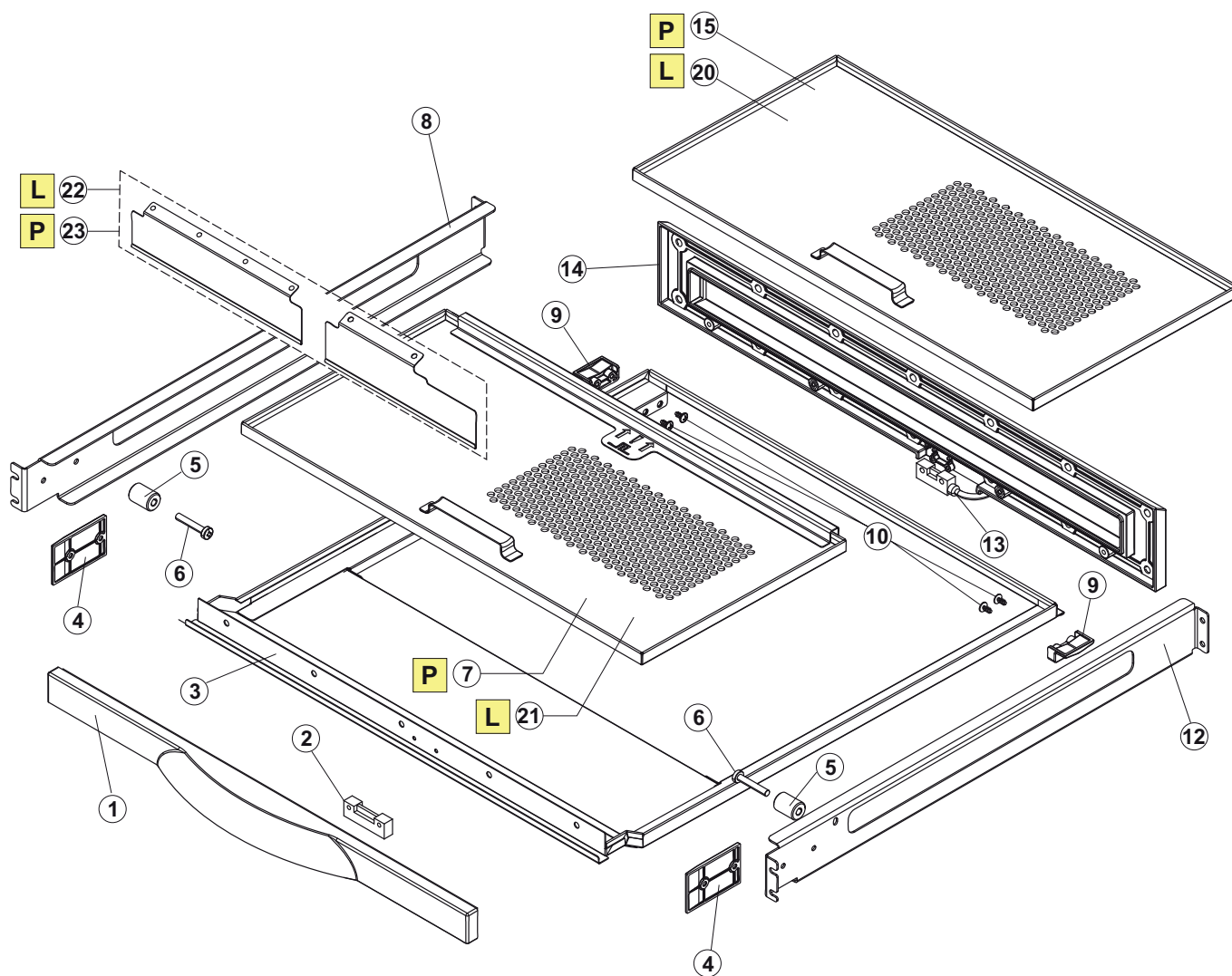
ROZKRES 6/7


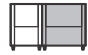
Č. POLOŽKA

1	Washpump	70100
2	Bracket	70105
3	Electropump fan cover	70940
4	Washpump fun	70939
5	Flange	70941

6	Washpump shaft seal	70942
7	O-Ring	70943
8	Electropump impeller	70944
9	Electropump housing	70945

ROZKRES 7/7



P		Předmytí
M		Mytí

ROZKRES 7/7

Č. POLOŽKA

1	Handle for the filter	65501
2	Magnet for hood microswitch	927088/CWM7
3	Strainer frame	65556
4	Side slide for filter	65503
5	Buffer for drive stop	75076
6	Screw	75311
7	Front drawer strainer for pre-wash tank	65477
8	Not in price-list	65871
9	Sliding block	65508

10	Screw	65999
12	Not in price-list	65872
13	Magnetic door switch	80871
14	Kit stainer frame	K65502
15	Front drawer strainer for pre-wash tank	65478
20	Back drawer strainer for wash tank	65468
21	Front drawer strainer for wash tank	65464
22	Kit splashguard wash door	K65565
23	Kit splashguard pre-wash door	K65479

Číslo produktu	Model produktu	Název produktu
00014488	CT 160 W ABT RX	Myčka tunelová 160 košů/hod., na studenou vodu, výstup vpravo
00010031	CT 160 ABT LX	Myčka tunelová 160 košů za hodinu na horkou vodu, výstup vlevo
00014491	CT 160 ABT RX	Myčka tunelová 160 košů za hodinu na horkou vodu, výstup vpravo
00013728	CT 160 W ABT LX	Myčka tunelová 160 košů za hodinu na studenou vodu, výstup vlevo