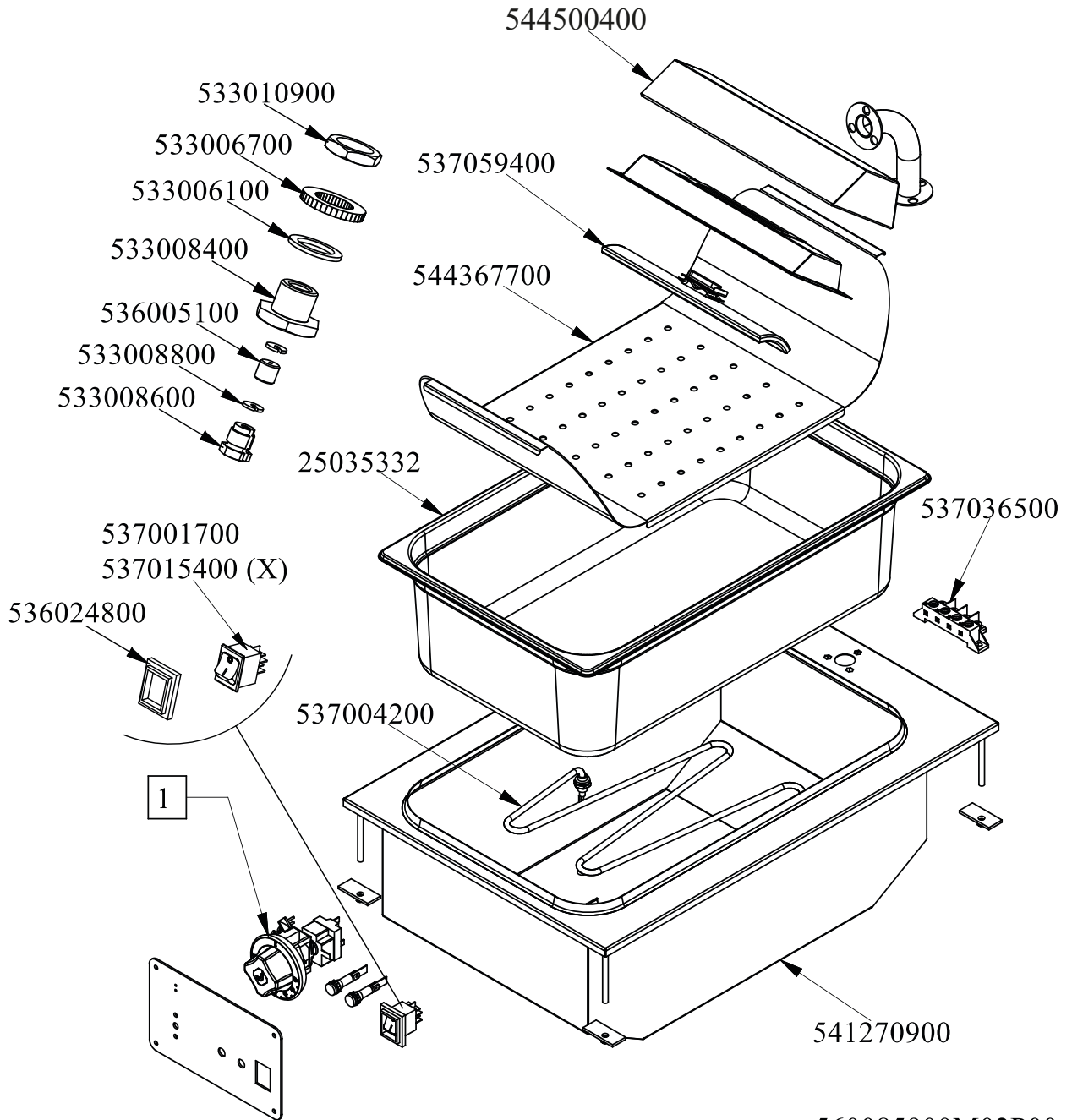
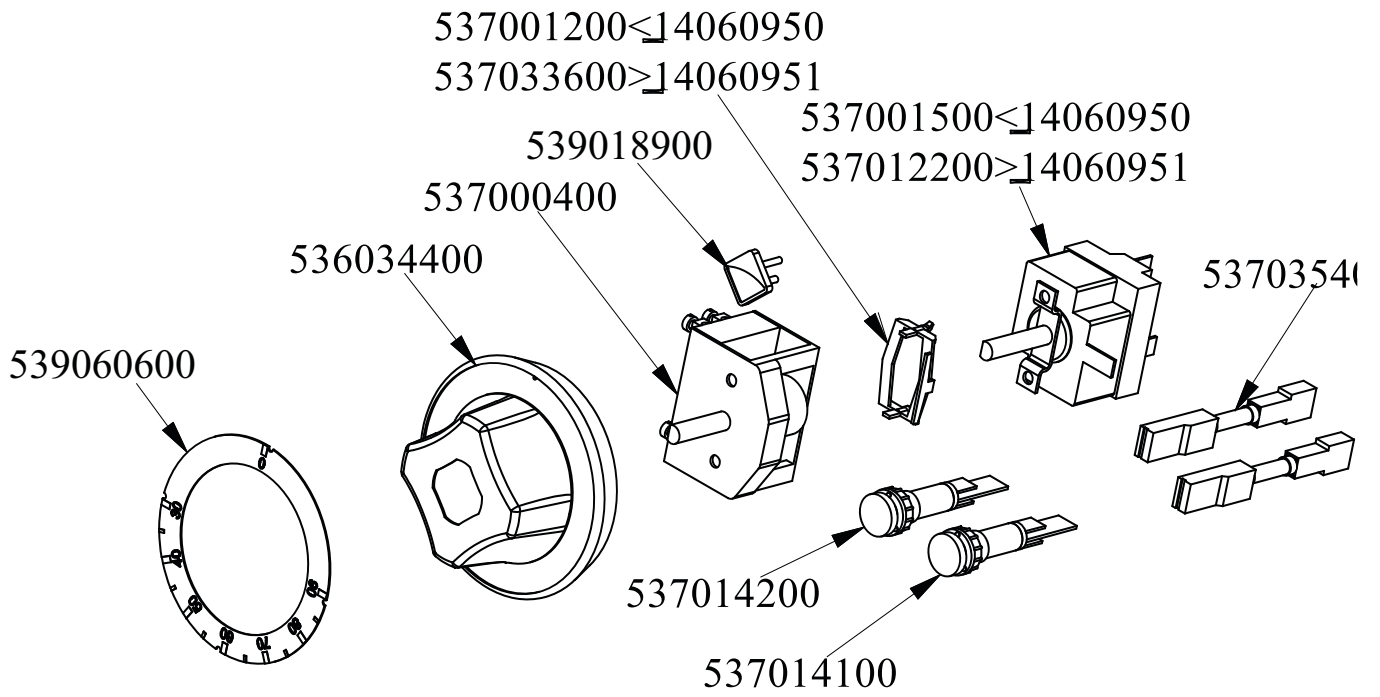


RM Drop In
 Platný od 1.5. 2019
 BSD-64EM





Objednací kód	Popis v ENG
537036500	TERMINAL BLOCK 4POLES 40A SCREW-SCR
541270900	UPPER PLATE DROP IN BSD-64EM
537004200	HEATING ELEMENT W823 V230 BM
25035332	GN-1/1 CONTAINER H.150
544367700	FALSE BOTTOM GN1/1 VERT.BS-74EM
537059400	CERAM.HEAT.ELEMENT BS74E 650W 1-230
544500400	EXTERNAL BOX FOR BS-ELEMENTS
536024800	HOOD WITH SWITCH FRAME
537001700	GREENLIGHTED BIPOLAR SWITCH
536005100	GRAPHITE §07,4 GASKET
533008400	LOCK NUT M14*1-M9*1
533006100	GASKET D.20
533006700	NOTCHED WASHER D.14
533010900	NUT M14*1 H.4
533008600	STUFFING BOX M9*1
533008800	WASHER FOR STUFFING BOX §7.7
-	-



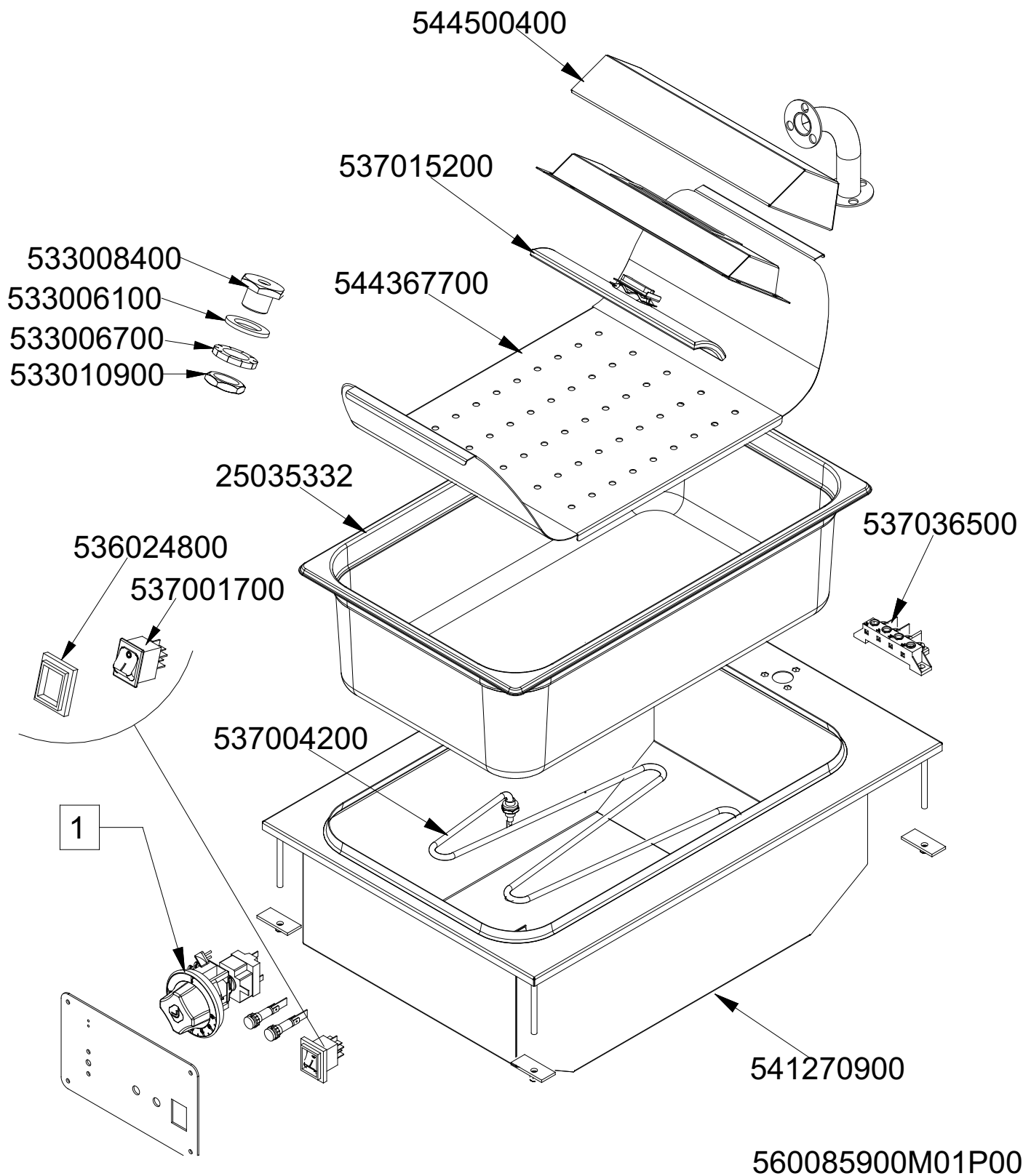
560100000M02P00



Objednací kód	Popis v ENG
539060600	RED STICKING DISK 72 (030,090°)
536034400	KNOB §77 4P. §06*4,6 C/M
537000400	COMMUTATOR 1POS.SINGLEPHASE S49 16A
539018900	INDEX FOR KNOB RED SIGN
537014200	GREEN WARNING LIGHT 250V
537014100	WHITE WARNING LIGHT 250V
537001200	FIXING BRACKET FOR THERMOSTAT/COMM.
537033600	FIXING BRACKET FOR THERMOSTAT/COMM.
537001500	THERMOSTAT 30-90°C SINGLEPHASE
537012200	THERMOSTAT 30/110°C SINGLEPHASE
537035400	HEATING ELEMENT 00003W 330KOHM W/F



BSD-64EM
Platný od
1.5.2016
do 30.4.2019





BSD-64EM

„1“

Platný od

1.5.2016

do 30.4.2019

