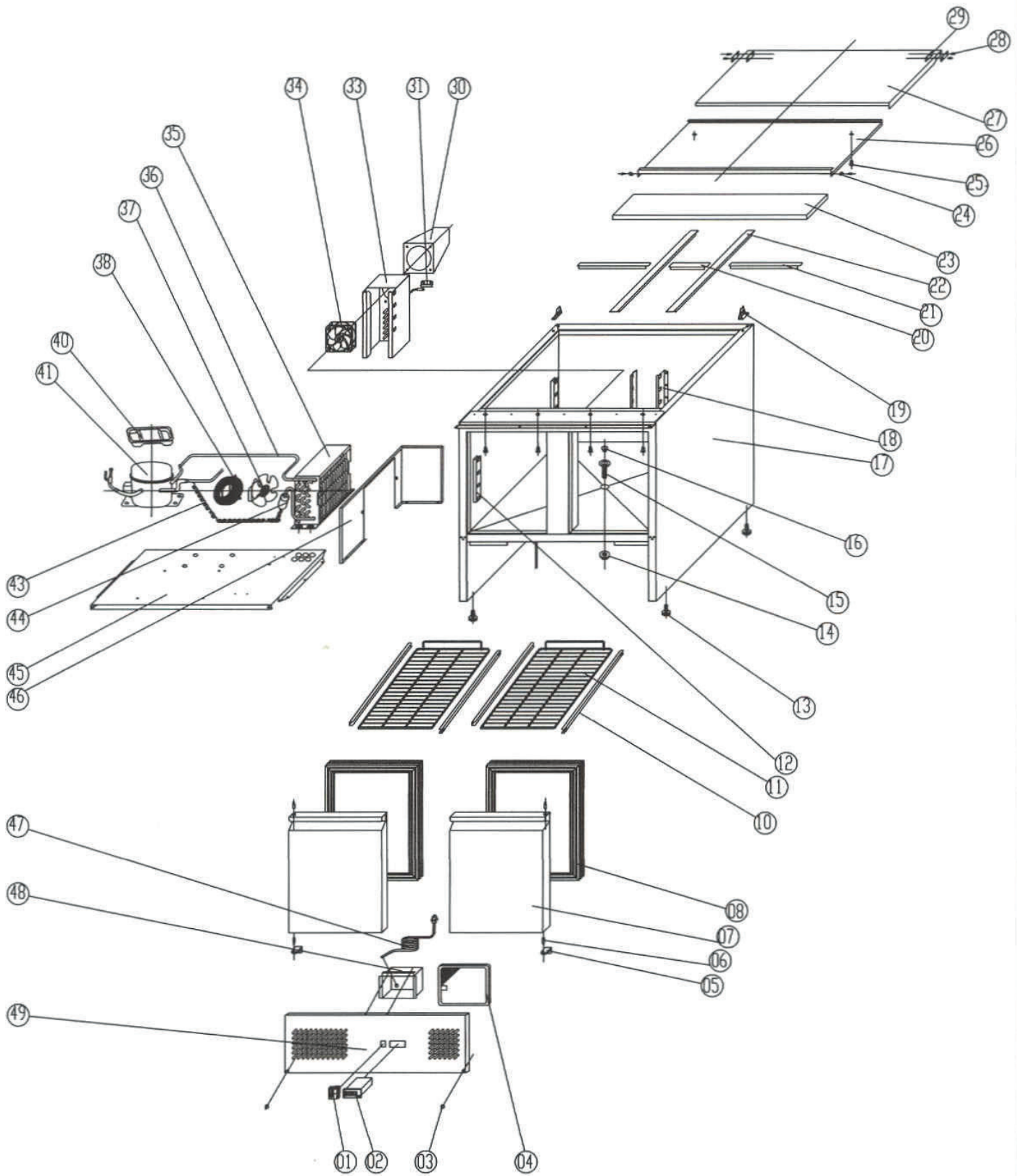


MT 900  
2020\_08



MT 900  
2020\_08

| Pozice | Kód     | Název                   |
|--------|---------|-------------------------|
| 1      | S900.01 | MAIN SWITCH             |
| 2      | S900.02 | THERMOSTAT              |
| 3      | S900.03 | PLASTIC CAP             |
| 4      | S900.04 | FILTER                  |
| 5      | S900.05 | DOWN HINGE/LEFT/RIGHT   |
| 6      | S900.06 | DOWN HINGE AXIS         |
| 7      | S900.07 | DOOR/RIGHT/LEFT         |
| 8      | S900.08 | GASKET                  |
| 10     | S900.10 | GUIDE/RIGHT/LEFT        |
| 11     | S900.11 | SHELF                   |
| 12     | S900.12 | SIDE SUPPORT            |
| 13     | S900.13 | FEET                    |
| 14     | S900.14 | DRAIN PIPE NUT          |
| 15     | S900.15 | DRAIN PIPE              |
| 16     | S900.16 | DRAIN PIPE COVER        |
| 17     | S900.17 | BODY                    |
| 18     | S900.18 | BACK SUPPORT LEFT/RIGHT |
| 19     | S900.19 | COVER HINGE/RIGHT/LEFT  |
| 20     | S900.20 | SHORT SUPPORT           |
| 21     | S900.21 | MIDDLE SUPPORT          |
| 22     | S900.22 | LONG SUPPORT            |
| 24     | S900.23 | CUTTING BOARD           |
| 25     | S900.25 | PLASTIC PIN             |
| 26     | S900.26 | MOVEMENT COVER          |
| 27     | S900.27 | FIXED COVER             |
| 28     | S900.28 | COVER HINGE AXIS        |
| 29     | S900.29 | STRENGTHENING BOARD     |
| 30     | S900.30 | AIRFLOW DUCT            |
| 31     | S900.31 | SENSOR FIXED CLIP       |
| 33     | S900.33 | CIRCLE FAN SUPPORT      |
| 34     | S900.34 | CIRCLE FAN              |
| 35     | S900.35 | CONDENSER               |
| 36     | S900.36 | DISCHARGE TUBE          |
| 37     | S900.37 | CONDENSER FAN           |
| 38     | S900.38 | BASKET GUARD GRILLS     |
| 40     | S900.40 | WATER PAN               |
| 41     | S900.41 | COMPRESSOR              |
| 43     | S900.43 | CAPILLARY               |
| 44     | S900.44 | FILTER DRIER            |

