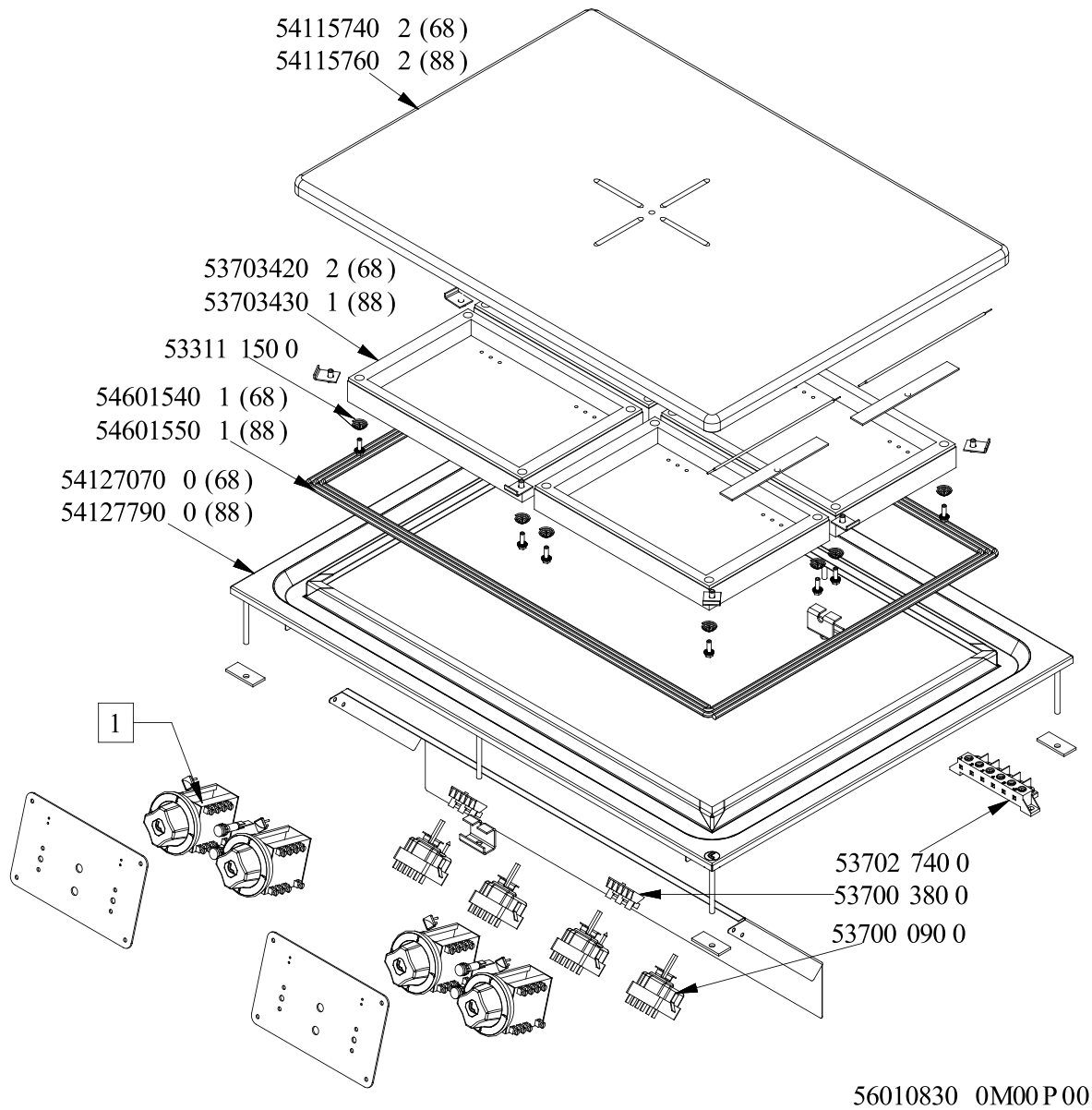
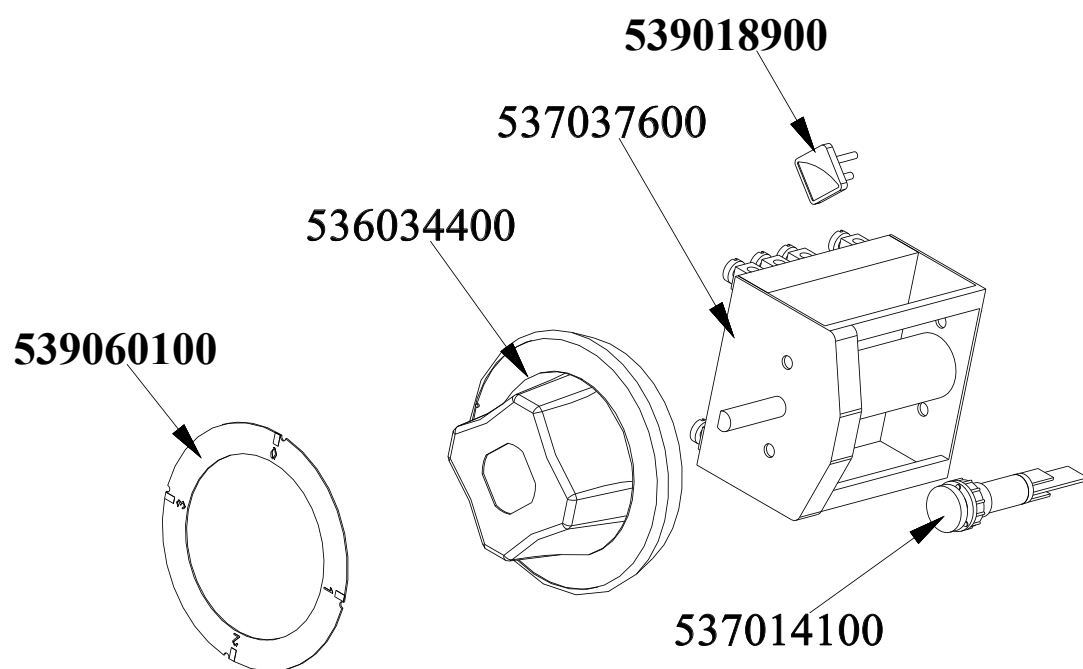


RM Drop In
Platný od 1.5. 2019
TPD-68ET, TPD-88ET





Objednačí kód	Popis v ENG
541157402	PLATE S70 TP-78E
537034202	HEATING ELEM.250X295 2500W 230V3
533111500	COIL SPRING INTØ7X18XØFILO1 H=10
546015401	SQUARE PLAIT L.C.06X06 L6750
541270700	
537027400	TERMINAL BLOCK THREEPHASE 40A
537003800	TERMINAL BLOCK 3POLES 16A
537000900	THERMOSTAT 063-320°C THREEPHASE
-	-



560100800M00P00



Objednací kód	Popis v ENG
539018900	INDEX FOR KNOB RED SIGN
537037600	COMMUTATOR 4 POS.3PHASE S.43 32A
536034400	KNOB §77 4P. §06*4,6 C/M
539060100	RED ADESIVE DISK FOR CPT-ET
537014100	WHITE WARNING LIGHT 250V