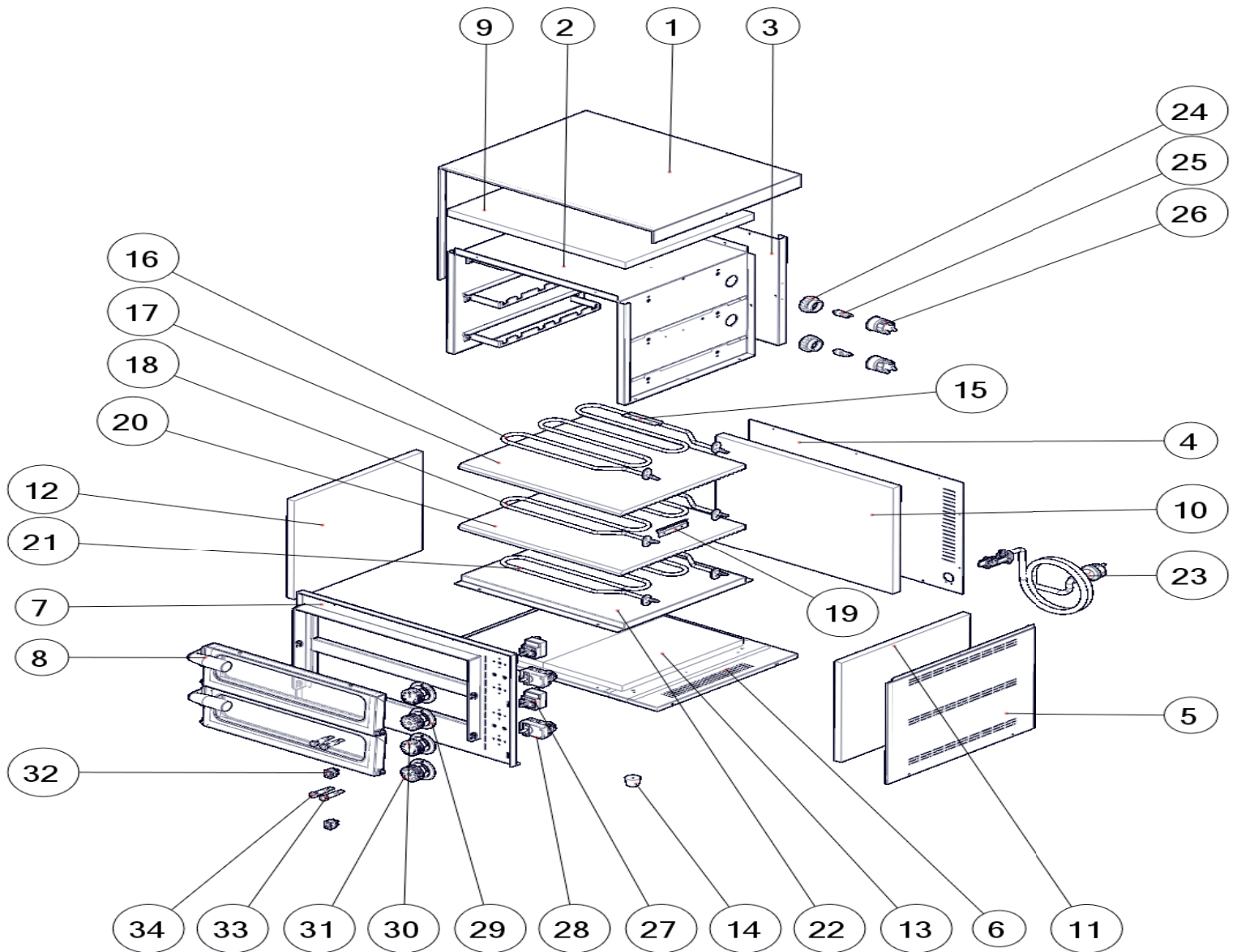




FP-67 R





FP-67 R

FP - 67 R	
Pozice	Kód
1	454500760
2	504503250
3	454500860
4	454500820
5	454500780
6	504500260
7	504503230
8	504503010
9	407502115
10	407502118
11	407502117
12	407502117
13	407502116
14	407810000
15	450503500
16	401031001
17	407600100
18	401031001
19	450503500
20	407600100
21	401031005
22	454500580
23	500113500
24	407860008
25	401600120
26	401600110
27	402503000
28	401550010
29	402595001
30	402593000
31	402590770
32	401500556
33	401515210
34	401515100

Exploded view

TABLE A: LABELS

MODEL	CODE	NOTE
VT	402594273	
TO - 940	402594234	Switch
TO - 940	402594235	Timer
TO - 960	402594234	Switch
TO - 960	402594235	Timer
TO - 920	402594233	Switch
TO - 920	402594235	Timer
TO - 930	402594233	Switch
TO - 930	402594235	Timer
VEC	402594241	
PM - LTF	402594244	
KD	402594243	
FP - 36	402594237	
FP - 66		
FP - 37		
FP - 67		
FT	402594247	
PD		
PM		
PS		
FP - 38		
FP - 68		
FE	402594272	
BM	402594236	
BMV		
HD		
WE		
WEV		
OTS		
UH		
BM-D	402594271	
SE		
CW		
GV		

