

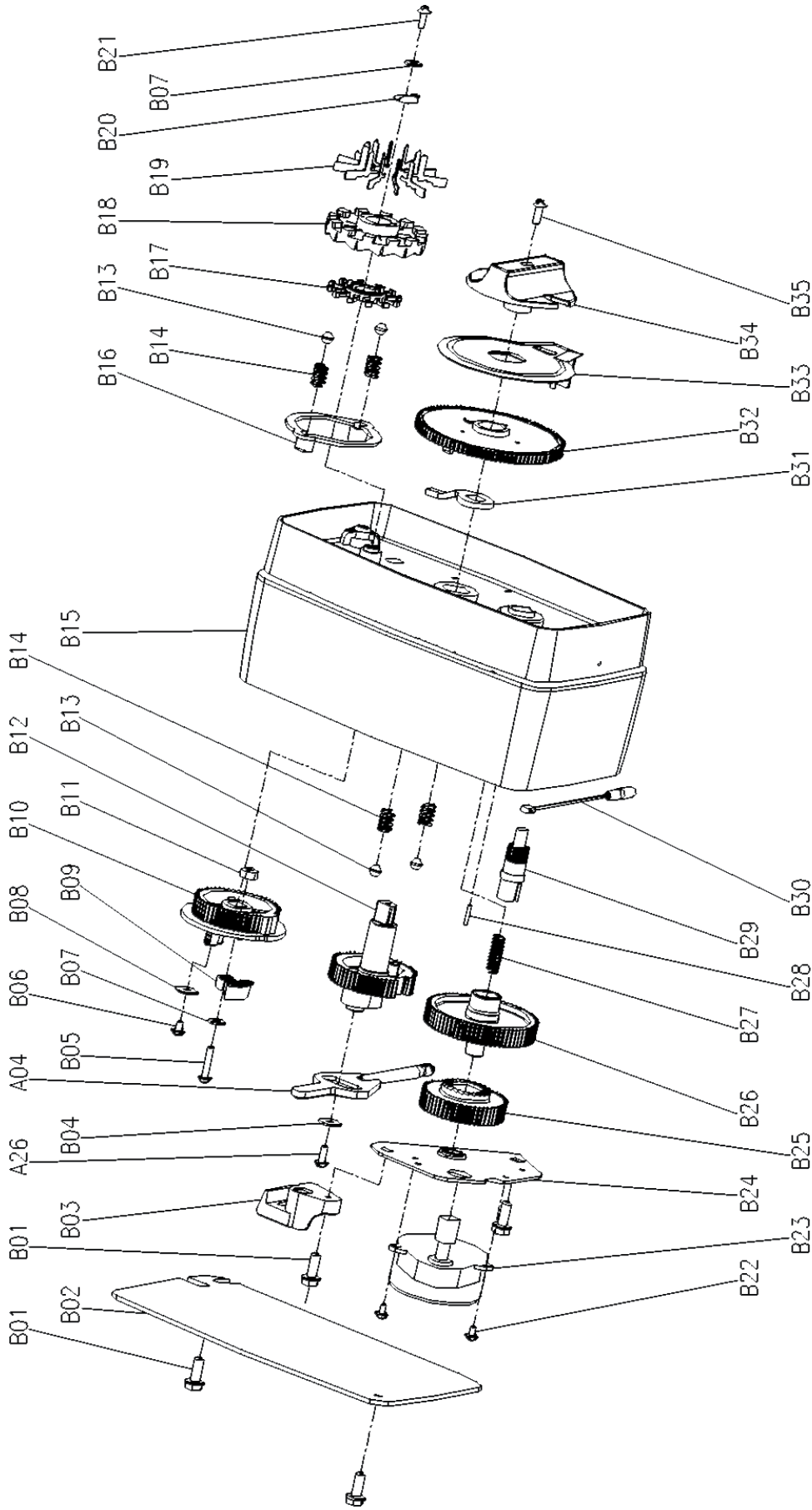
ROZKRES

RM GASTRO GROUP





R - 08





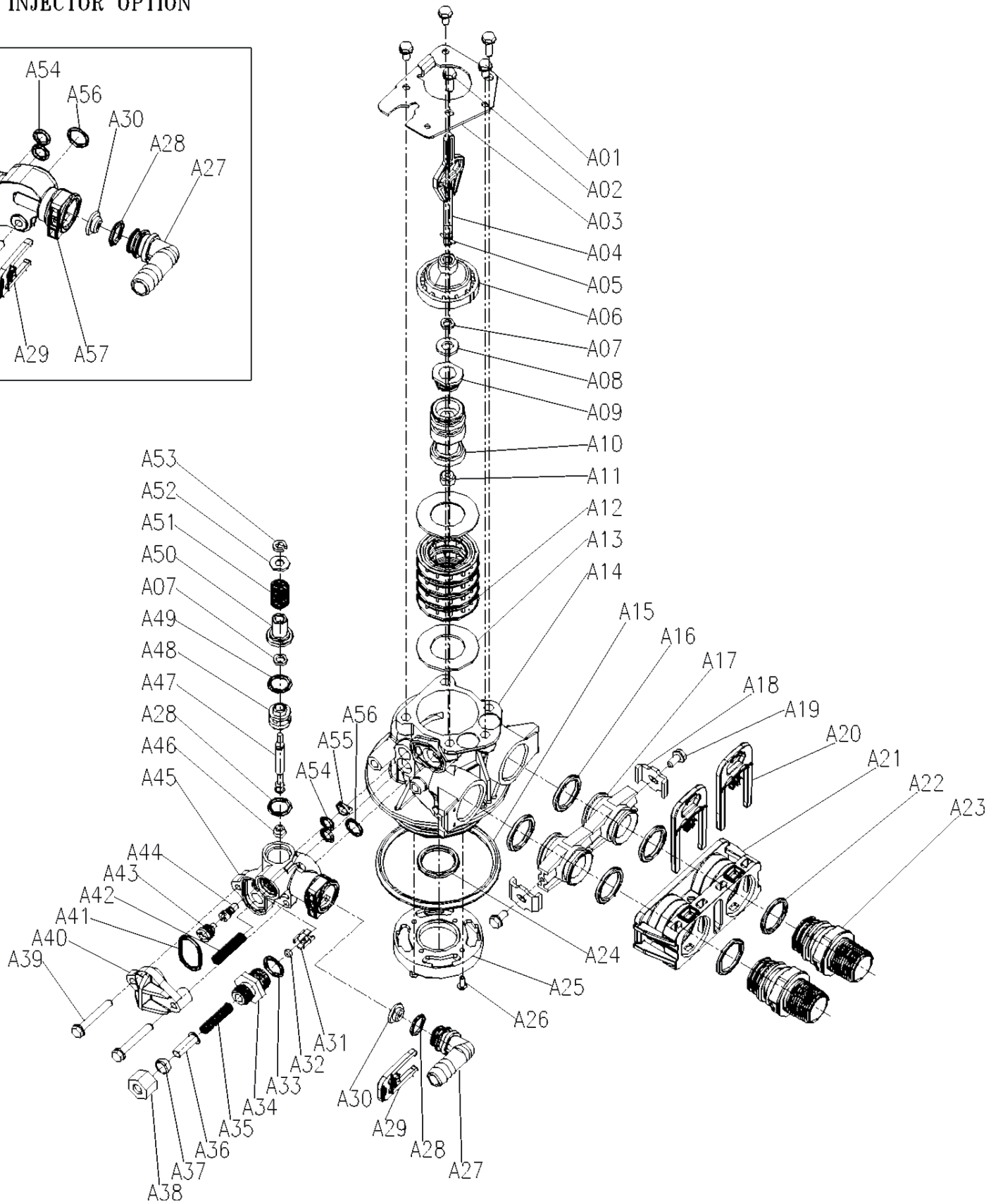
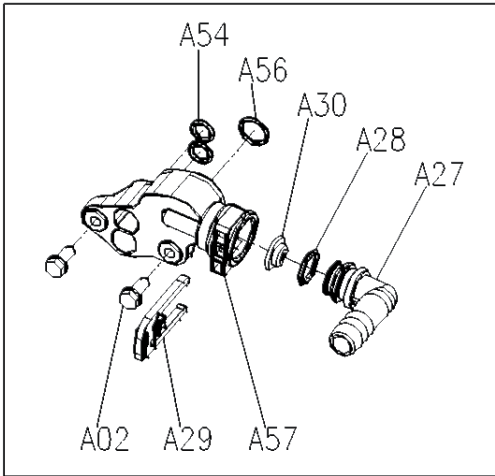
R - 08

| Item No. | Part No. | Part Description | Quantity |
|----------|----------|-------------------------------------|----------|
| B01 | 05056136 | Screw-ST3.5×13(Hexagon with Washer) | 4 |
| B02 | 05056014 | Back Cover | 1 |
| B03 | 05010045 | Piston Stem Holder | 1 |
| A26 | 13000426 | Screw-ST2.9×13(Large Wafer) | 1 |
| B04 | 05056139 | Washer-3x13 | 1 |
| A04 | 05010081 | Piston Rod | 1 |
| B06 | 05056083 | Screw-M4x14 | 1 |
| B05 | 05056166 | Screw-ST4.2×12(Large Wafer) | 1 |
| B07 | 13111004 | Washer-4x9 | 2 |
| B08 | 05056141 | Washer-4x12 | 1 |
| B09 | 05056016 | Refill Regulator | 1 |
| B10 | 05056015 | Brine Gear | 1 |
| | 05056061 | Meter Label | 1 |
| B11 | 05056089 | Nut-M4 | 1 |
| B12 | 05056005 | Main Gear | 1 |
| B13 | 05056092 | Ball-1/4inch | 4 |
| B14 | 05056095 | Spring Detent | 4 |
| B15 | 05056001 | Housing | 1 |
| | 05056057 | Ring Label | 1 |
| | 05056056 | Label | 1 |
| B16 | 05056011 | Skipper Wheel Ring | 1 |
| B17 | 05056010 | Skipper Retainer | 1 |
| B18 | 05056009 | Skipper Wheel | 1 |
| B19 | 05056048 | Skipper | 12 |
| B20 | 05056012 | Reneneration Pointer | 1 |
| B21 | 05010037 | Screw-ST2.9×10 | 1 |
| B22 | 05056082 | Screw-M3×5 | 2 |
| B23 | 05056049 | Motor(12V3W) | 1 |
| | 11700005 | Wire Connector | 2 |
| B24 | 05056045 | Motor Mounting Plate | 1 |
| B25 | 05056004 | Driven Gear | 1 |
| B26 | 05056002 | Idler Gear | 1 |
| B27 | 05056094 | Spring Idler | 1 |
| B28 | 05056098 | Motor Pin | 1 |
| B29 | 05056003 | Idler Pinion | 1 |
| B30 | 05010029 | Power Cable | 1 |
| | 05056013 | Power Strain Relief | 1 |
| B31 | 05056007 | Cycle Actuator Gear | 1 |
| B32 | 05056006 | Timer Gear | 1 |
| | 05056059 | Timer Gear Label | 1 |
| B33 | 05056017 | Reneneration Pointer Plate | 1 |
| B34 | 05056008 | Knob | 1 |
| | 05056111 | Knob Label | 1 |
| B35 | 05056084 | Screw-ST3.5x13 | 5 |



R - 08

FILTER INJECTOR OPTION





R - 08

| Item No. | Part No. | Part Description | Quantity |
|----------|-----------|-------------------------------------|----------|
| A01 | 05056087 | Screw-M5×12(Hexagon) | 3 |
| A02 | 05056088 | Screw-M5×16(Hexagon with Washer) | 2 |
| A03 | 05056047 | End Plug Retainer | 1 |
| A04 | 05010081 | Piston Rod | 1 |
| A05 | 05056097 | Piston Pin | 1 |
| A06 | 05056023 | End Plug | 1 |
| A07 | 05056070 | Quad Ring | 2 |
| A08 | 05056024 | End Plug Washer | 1 |
| A09 | 05056022 | Piston Retainer | 1 |
| A10 | 05056181 | Piston (Electrical) | 1 |
| A11 | 05056104 | Muffler | 1 |
| A12 | 05056021 | Spacer | 4 |
| A13 | 05056073 | Seal | 5 |
| A14 | 05056019 | Valve Body | 1 |
| A15 | 05056063 | O-ring-φ78.74×5.33 | 1 |
| A16 | 05056129 | O-ring-φ23×3 | 4 |
| A17 | 05056025 | Adaptor Coupling | 2 |
| A18 | 05056044 | Adaptor Clip | 2 |
| A19 | 05056090 | Screw-ST4.2×13(Hexagon with Washer) | 2 |
| A20 | 21709003 | Secure Clip | 2 |
| A21 | 05056140 | Valve Connector | 1 |
| A22 | 05056065 | O-ring-φ23.6×2.65 | 2 |
| A23 | 21319006 | Screw Adaptor | 2 |
| A24 | 26010103 | O-ring-φ25×3.55 | 1 |
| A25 | 07060007 | Valve Bottom Connector | 1 |
| A26 | 13000426 | Screw-ST2.9×13(Large Wafer) | 2 |
| A27 | 05010082 | Drain Fitting-B | 1 |
| A28 | 05056134 | O-Ring-φ12×2 | 2 |
| A29 | 05056172 | Secure Clip—S | 1 |
| A30 | 05056186 | DLFC-2# | 1 |
| A31 | 05056035 | BLFC Button Retainer | 1 |
| A32 | 05056191 | BLFC-2# | 1 |
| A33 | 05056138 | O-Ring-φ14×1.8 | 1 |
| A34 | 05056100B | BLFC Fitting | 1 |
| A35 | 05056106 | Brine Line Screen | 1 |
| A36 | 05056107 | BLFC Tube Insert | 1 |
| A37 | 05056033 | BLFC Ferrule | 1 |
| A38 | 05056108 | BLFC Fitting Nut | 1 |
| A39 | 05056086 | Screw-M5×30(Hexagon with Washer) | 2 |
| A40 | 05056029 | Injector Cover | 1 |
| A41 | 05056072 | O-Ring-φ24×2 | 1 |
| A42 | 05056103 | Injector Screen | 1 |
| A43 | 05056027 | Injector Nozzle | 1 |
| A44 | 05056028 | Injector Throat | 1 |
| A45 | 05056177 | Injector Body-B | 1 |
| A46 | 05056075 | Injector Seat | 1 |
| A47 | 05056054 | Injector Stem | 1 |
| A48 | 05056031 | Injector Spacer | 1 |
| A49 | 05056081 | O-Ring-φ12.5×1.8 | 1 |
| A50 | 05056030 | Injector Cap | 1 |
| A51 | 05056093 | Injector Screen | 1 |
| A52 | 05010049 | Special Washer | 1 |
| A53 | 05056105 | Retaining Ring | 1 |
| A54 | 05056067 | O-Ring-φ7.8×1.9 | 2 |