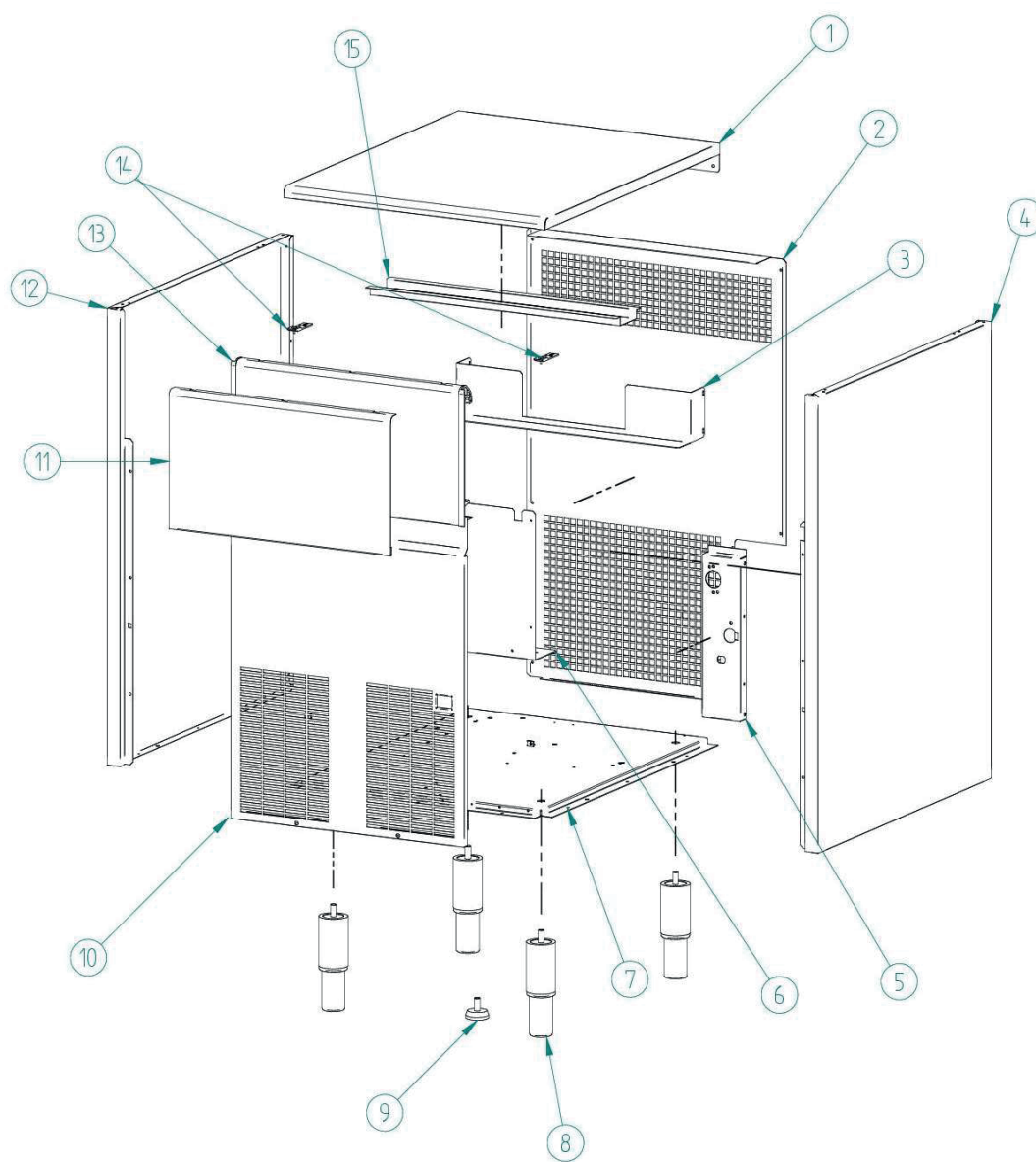


SS 35 - SS 60

2019_12

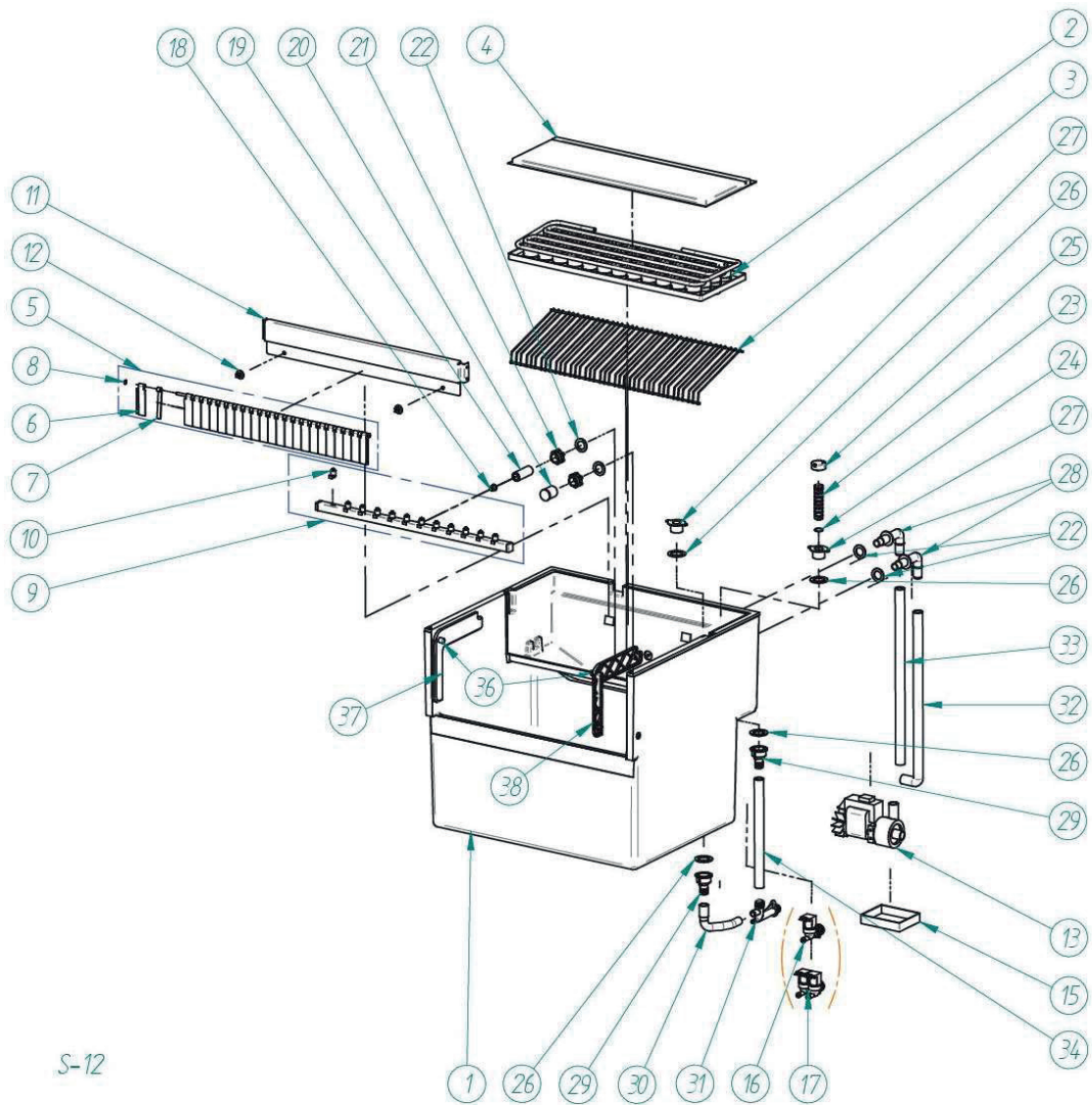


SS 35 - SS 60

2019_12

Pozice	Název	Kód 35	Kód 45	Kód 60
1	TOP COVER	4444V1		4445V1
2	REAR COVER	4108U		4124U
3	REAR SUPPORT	4106		4122
4	RIGHT PANEL	4436		4438
5	TUBE SUPPORT	4107		4123
6	FRONT SUPPORT	4105U		4121U
7	BENCH	4101U		4116U
8	LEGS	4144		
10	FRONT GRILL	4448U		4449U
11	DOOR COVER	4456		4457
12	LEFT PANEL	4437		4439
13	DOOR	4268		4269
14	TOP COVER FIX	8996		
15	COVER REINFORCEMENT	30170		30171

SS 35 - SS 60
2019_12

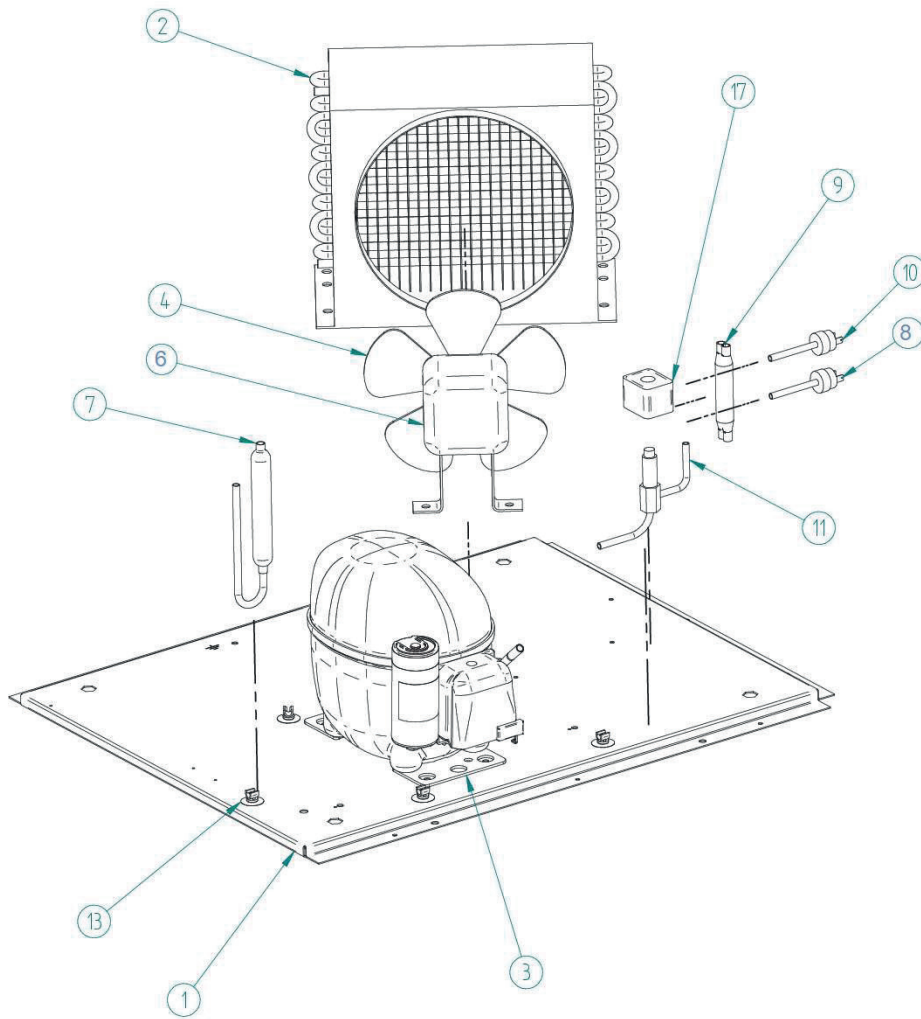


S-12

SS 35 - SS 60
2019_12

Pozice	Název	Kód 35	Kód 45	Kód 60
1	STOCK BIN	7460		7461
2	EVAPORATOR	7423		7450
3	EJECT CUBE GRILL	8904		8905
4	EVAPORATOR COVER	4707A		4708A
5	CURTAIN	8362		8363
6	EXTERIOR CURTAIN SLAT		1213	
7	INTERIOR CURTAIN SLAT		1212	
	DOUBLE CURTAIN SLAT		31271	
8	CURTAIN END		8856	
9	COLLECTOR	7454		7455
10	NOZZLE		526	
11	CURTAIN SUPPORT	8176		8177
13	WATER PUMP	4769		8687
14	PUMP SUPPORT		4613	
15	CONDENSATION TRAY		4521	
16	WATER INLET VALVE	6980		7685
18	WATER REGULATOR	805		4527
19	TUBE		4098	
20	FILTER		4505	
21	PLASTIC NUT		4502	
22	JOINT		4503	
23	OVERFLOW PLASTIC COUPLING		4426	
24	OVERFLOW TUBE		4496	
25	ELBOW ADAPTER		4427	
26	JOINT		4755	
27	DRAIN		6017	
28	DRAIN ELBOW ADAPTER		4501	
29	DRAIN STRIGHT UNION		6018	
30	DRAIN COUPLING		6021	
31	WATER DISTRIBUTOR		363	
32	WATER INLET TUBE	8829		8830
33	WATER OUTLET PIPE	4713		4724
34	OVERFLOW TUBE	4714		4726
36	CLIP		4276	
37	LEFT GUIDE		4273	
	RIGHT GUIDE		4272	

SS 35 - SS 60
2019_12



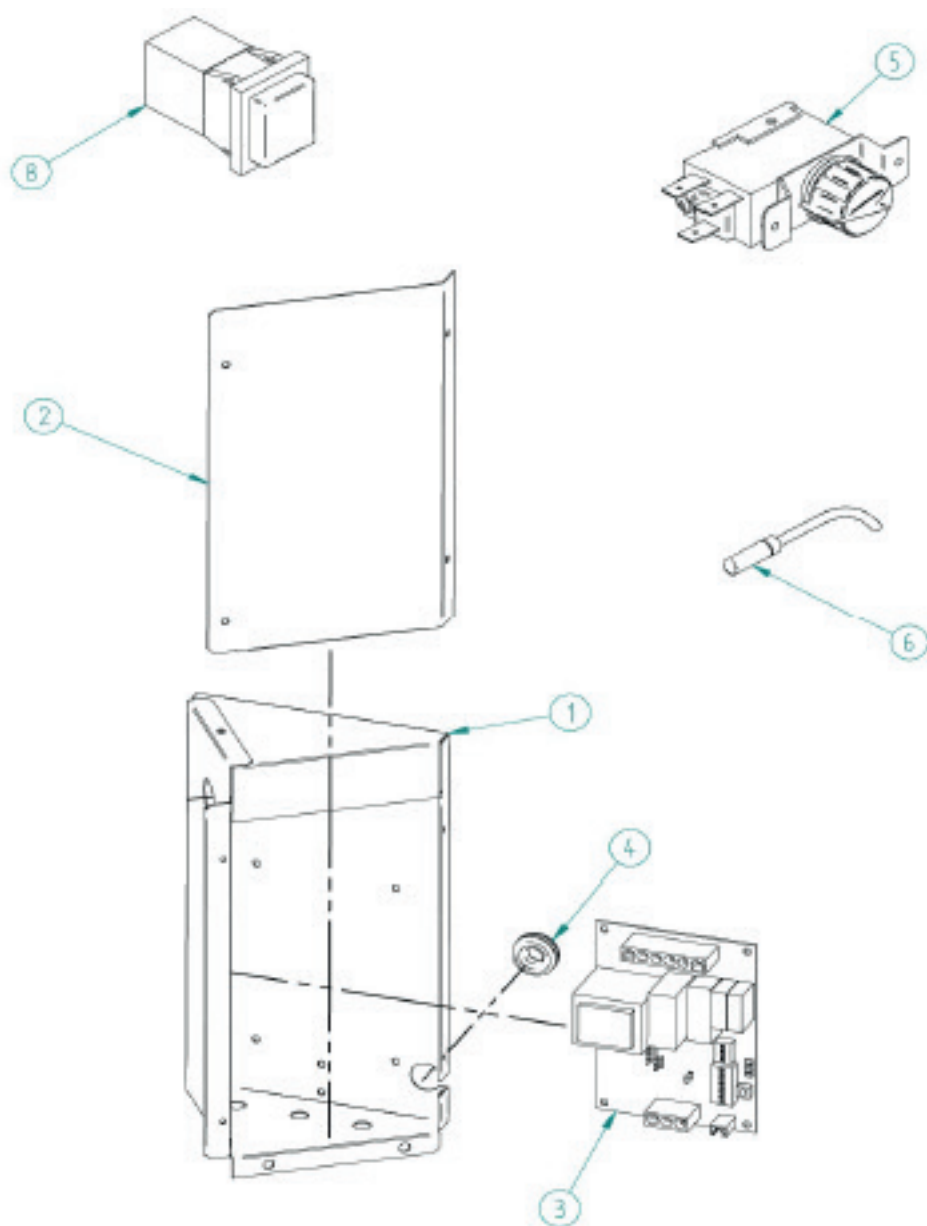
SS 35 - SS 60

2019_12

Pozice	Název	Kód 35	Kód 45	Kód 60
1	BENCH	4101U		4116U
2	CONDENSER	486		487
3	R290 COMPRESSOR	31302	31304	
4	FAN BLADE	4487		
6	FAN MOTOR	28		
7	DRIER	7896		
8	HIGH PRESSURE SWITCH	31660		
9	PRESSURE SWITCH COLLECTOR	31444		
10	CONDENSATION PRESSURE SWITCH	31160		
11	HOT GAS VALVE	1473		
13	CLIP	3533		
17	HOT GAS VALVE COIL	5173		

SS 35 - SS 60

2019_12



SS 35 - SS 60

2019_12

Pozice	Název	Kód 35	Kód 45	Kód 60
1	ELECTRIC BOX SUPPORT		31823	
2	ELECTRIC BOX COVER		31571	
3	ELECTRONIC BOARD		8143B	
4	WIRE HOLE		8411	
5	STOCK THERMOSTATR		31758	
6	TEMPERATURE PROBE		31708	
8	MAIN SWITCH		6597	